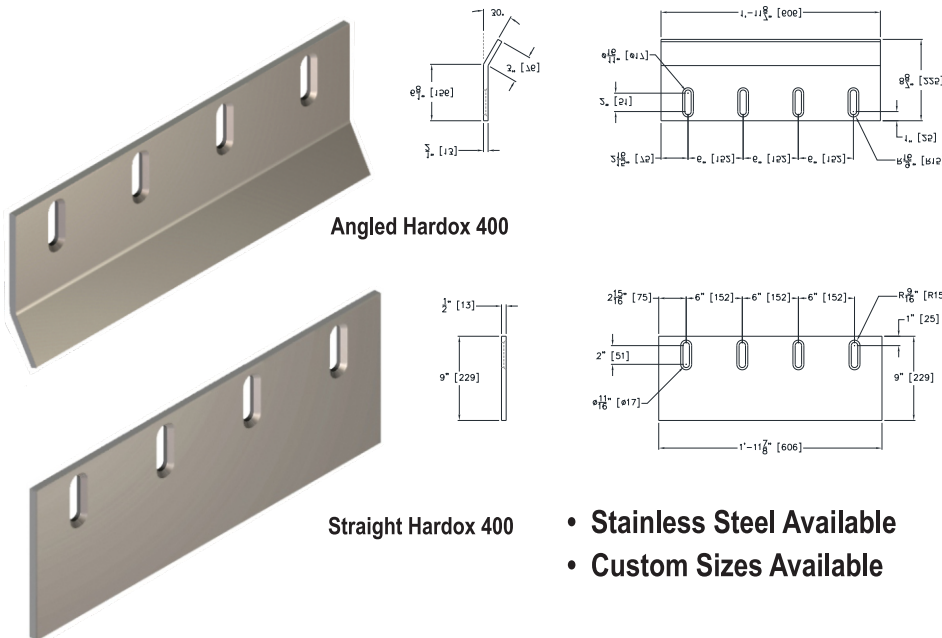


ARMORITE™

AR 400 STEEL WEARPLATE

ASGCO Armorite™ is an extremely hard, laminated bi-metallic, wear resistant composite, which has a nominal hardness of 700 BHN (63Rc) produced by combining a highly alloyed chromium-molybdenum white iron (to AS 2027 15/3 Cr/Mo) and metallurgically bonding it to a mild thick steel backing plate. The resultant bond possesses high shear strength of over 250 Mpa and will not separate.

X-Wear™ AR ASGCO Wear Liners protect your skirtboard and extend the life and effectiveness of your sealing compound. Use the straight design where belts are fully loaded and full chute width needs to be maintained. The angled deflector plate wear liner will force larger material to the center of the belt. It can be used for all conveyors and transfers where the eradication of spillage or centralization of load is required.



Angled Hardox 400

Straight Hardox 400

- Stainless Steel Available
- Custom Sizes Available



Armorite™ Applications

- Chute Linings
- Rock-Box Edges
- Grizzly Caps/Screens
- Transfer Points
- Impact Plates
- Distributor Plates
- Arm/Hub Liners
- Bin Liners
- Hopper Wear Plates
- Divider/Splitter Bars
- General Wear Protection
- Liner Panels

Part Number	Description	Wt.Lbs.
ASG-SKRT-LIN-HAR-24-1/2-A	Deflector Wearplate, Hardox 400, Angled	30
ASG-SKRT-LIN-HAR-24-1/2-S	Deflector Wearplate, Hardox 400, Straight	30

Custom and other sizes available

Providing the World Material Handling Industry with Productive, Safe and Reliable "Complete Conveyor Solutions."

301 Gordon Street . Allentown, PA 18102 . 1-800-344-4000 . Fax: 610-778-8991 . www.asgco.com