

# ARMORITE™

## CHOCKY BARS



ASGCO **Armorite™** is an extremely hard, laminated bi-metallic, wear resistant composite, which has a nominal hardness of 700 BHN (63Rc) produced by combining a highly alloyed chromium-molybdenum white iron (to AS 2027 15/3 Cr/Mo) and metallurgically bonding it to a mild thick steel backing plate. The resultant bond possesses high shear strength of over 250 Mpa and will not separate.

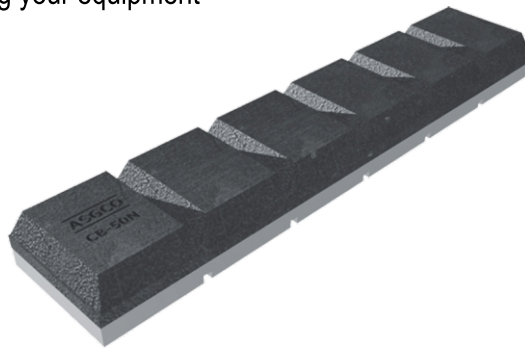
**Armorite™ Chocky Bars** offer protection on contoured surfaces such as chute linings, buckets, loaders, excavators and dragline machines.

- Easy formation to convex or concave surfaces with the notched mild steel backing plate
- No pre-heating or post-heating required when welding bars in place
- Cost effective method for protecting your equipment



### Armorite™ Applications

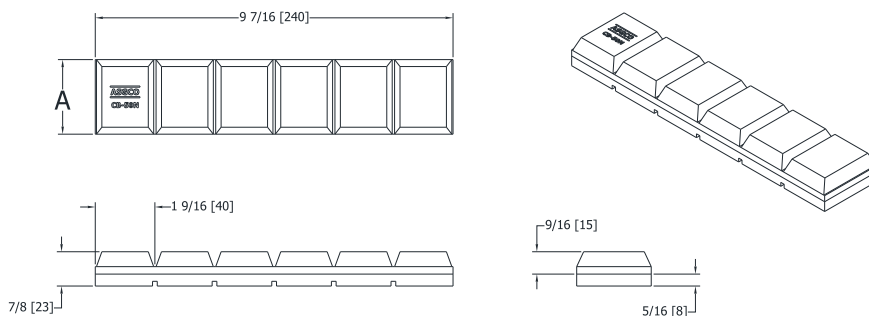
- Chute Linings
- Rock-Box Edges
- Grizzly Caps/Screens
- Transfer Points
- Impact Plates
- Distributor Plates
- Arm/Hub Liners
- Bin Liners
- Hopper Wear Plates
- Divider/Splitter Bars
- General Wear Protection
- Liner Panels



### Product Features:

- White Iron: Modified AS2027 15/3 Cr Mo
- Vacuumed brazed and liquid nitrogen cooled to achieve a high strength joint
- Mild steel backing offers strength, machinability, and impact resistance
- Can be welded in place, through-bolted, stud bolted, drilled, tapped, keyed
- Ease of fitment, very versatile

### Bond Zone Layers



Part Number	Description	Length	Width	Thick.	Wt.Lbs.
ASG-AMR-CB-40N	Ntchd. Chocky Bar	9-1/2"	1-3/4"	3/8"	3.3
ASG-AMR-CB-50N	Ntchd. Chocky Bar	9-1/2"	2"	1"	-
ASG-AMR-CB-65N	Ntchd. Chocky Bar	9-1/2"	2-3/4"	1"	-

Thickness White Iron 5/8" - Thickness Base Plate 3/8"

Providing the World Material Handling Industry with Productive, Safe and Reliable "Complete Conveyor Solutions."

301 Gordon Street . Allentown, PA 18102 . 1-800-344-4000 . Fax: 610-778-8991 . www.asgco.com