

SKIRTBOARD SEALING SYSTEMS

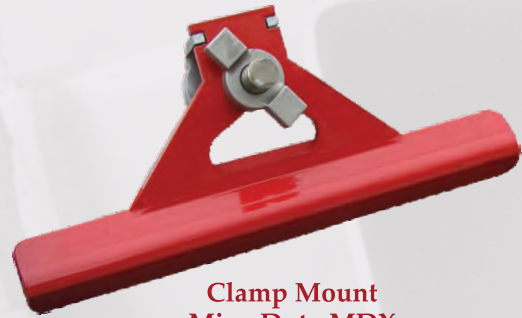
CLAMP MOUNT™

SKIRT SEALING SYSTEMS

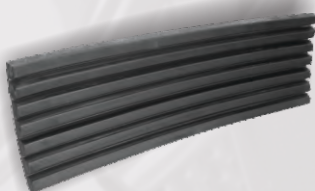
Eliminate Spillage, Dust and Fines at Transfer Points



Clamp Mount
Standard Double



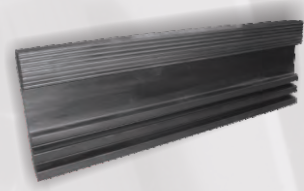
Clamp Mount
Mine Duty MDX



Multi-Seal Compound



ORG Compound



Tri-Seal Compound

PROVIDES HIGHLY RELIABLE, POSITIVE SEAL

SLASHES CLEAN-UP COSTS

REDUCES MATERIAL WASTE

IMPROVES SAFETY

REDUCES DAMAGE TO BELTS/COMPONENTS

PROVIDES EASY INSTALLATION/ADJUSTMENT



CLAMP-MOUNT SKIRTBOARD SEALING SYSTEM



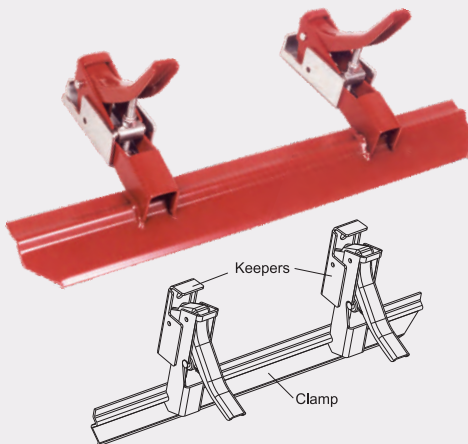
Our Clamp-Mount skirting clamps help eliminate spillage and dust in the conveyor transfer point. The Clamp-Mount installs easily and allows for one person to replace or reposition skirt rubber.

Increase Conveyor Performance – by helping to eliminate spillage and dust in the loading zone.

Reduce Downtime – by the simple clamp adjustment and release to allow repositioning or changing out skirting in minutes versus hours, without tools.

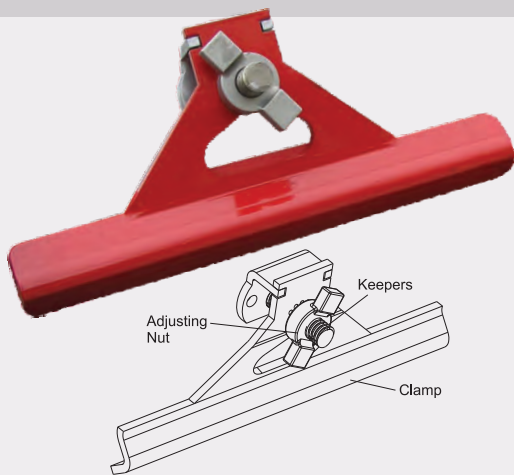
For quality sealing results, use Clamp-Mount on a vertical chute wall with 1" ORG compound. For superior sealing, combine Clamp-Mount with ASGCO's Support Plate and either ORG (3/4" or 1/2" thick) or 6" or 8" Tri-Seal or Multi-Seal.

CLAMP MOUNT



- 24" clamp with handles on 12" centers
- Ruggedly constructed 9" (225mm) high by 24" (600mm) long clamp provide effective locking ability for any type of skirting material.
- Quick and easy to adjust and replace skirting
- The ASGCO Clamp-Mount system can accommodate 20°, 35°, and 45° idlers.
- Low clearance clamps (Low Boy) also available (under 8")
- Available in stainless steel and single clamp

CLAMP MOUNT MDX (MINE DUTY)



New heavy duty clamp that can be used with any of our ASGCO sealing compounds.

- 18" heavy duty clamp system with keeper, fabricated from 3/8" thick steel
- Can be used with any of ASGCO sealing compounds
- Will automatically adjust to any thickness from 1/4" to 1 1/4"
- Patent pending adjustment nut is cast 304 stainless steel
- Mine Duty style for aggressive applications
- The keeper and nut feature a 1" Acme thread which can be adjusted by using a hammer or a wrench.

ASGCO SEALING COMPOUNDS

Dura-Seal

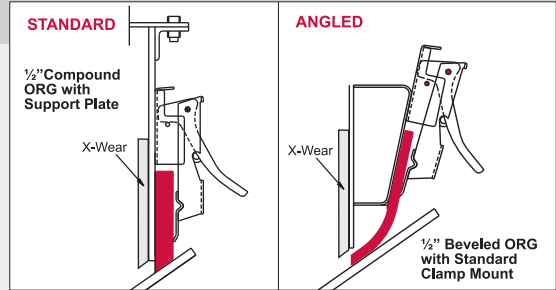


A blend of natural rubber - with high tensile and tear resistance.



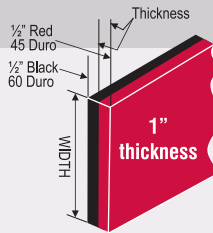
Abrasive and Cut Resistant – Dura-Seal is the toughest and most cut resistant 45-durometer-rubber material available anywhere.
Works Great – in abrasive and impact area conditions where cut and gauge is a problem, as seen in hard rock mining.

Tough enough to out last conventional SBR by 5 to 1 ratio.

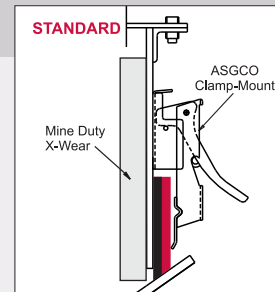


Thickness	Width	Length
1/2"	4", 6", 8", 10"	50' Roll
3/4"	4", 6", 8", 10"	50' Roll
1"	4", 6", 8", 10"	50' Roll

B & R Dura-Seal



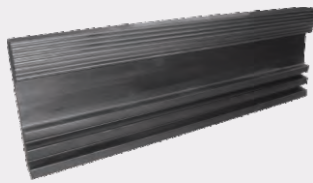
Dura-Seal (ORG 45) - compound for optimum sealing and minimum wear on the belt
Dura-Seal (60) - compound for best wear and impact resistance.
Works Great – in abrasive and impact area conditions where cut and gauge is a problem, as seen in hard rock mining.



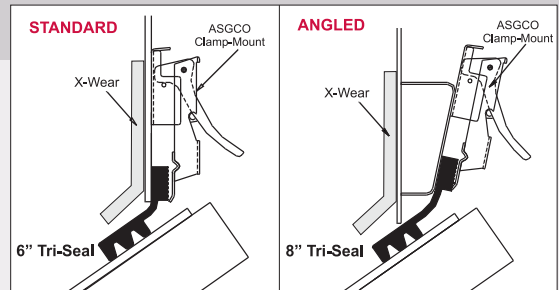
*Recommended installation of B & R Dura-Seal based on material being conveyed

Thickness	Width	Length
1"	4", 6", 8", 10"	50' Roll

Tri-Seal

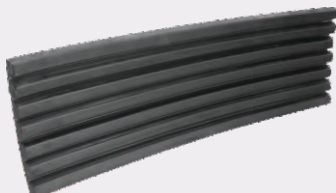


Triple Sealing – action uses 3 deterrents to stop fines and dust from escaping the load zone.
Works Great – on conveyors where dust is a problem, in below ground and above ground mining, coal, cement, pulp and paper.

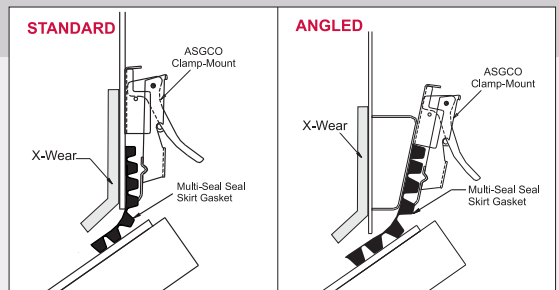


Thickness	Width	Length
1"	6"	50' Roll
1"	8"	50' Roll

Multi-Seal



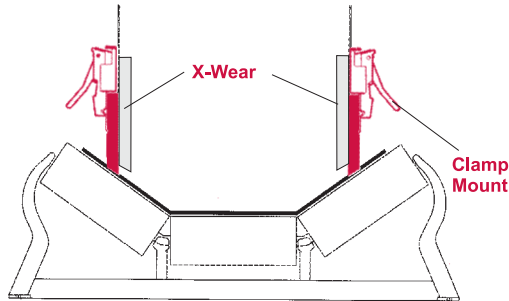
Multiple Sealing – action is adjustable, and can be reversed for the full life of the skirting material
Works Great – where you need flexibility and dust is a problem, in below ground and above ground mining, coal, cement, pulp and paper.



Thickness	Width	Length
1"	8"	50' Roll

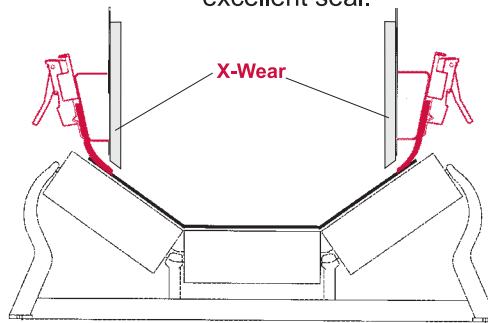
GOOD WAY

Double Clamp-Mount system mounted vertically with 1" thick Dura-Seal or B & R Dura-Seal compound



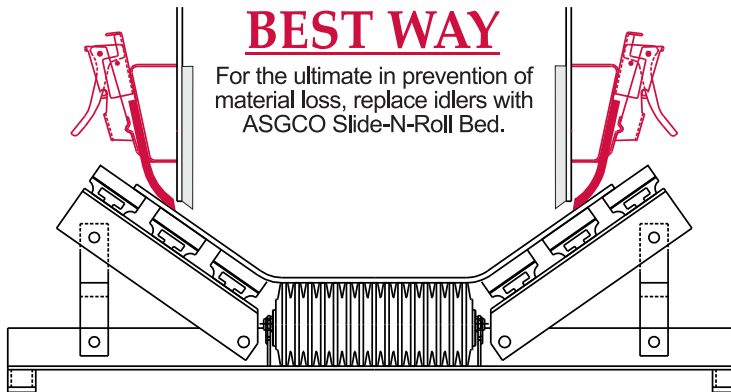
BETTER WAY

Angled Support Plate combined with 3/4" thick Dura-Seal, Tri-Seal or Multi-Seal provides an excellent seal.



BEST WAY

For the ultimate in prevention of material loss, replace idlers with ASGCO Slide-N-Roll Bed.



Check us out at
www.asgco.com

Customer Service
800-344-4000



301 Gordon Street
Allentown, PA 18102
610-821-0216
FAX 610-778-8991