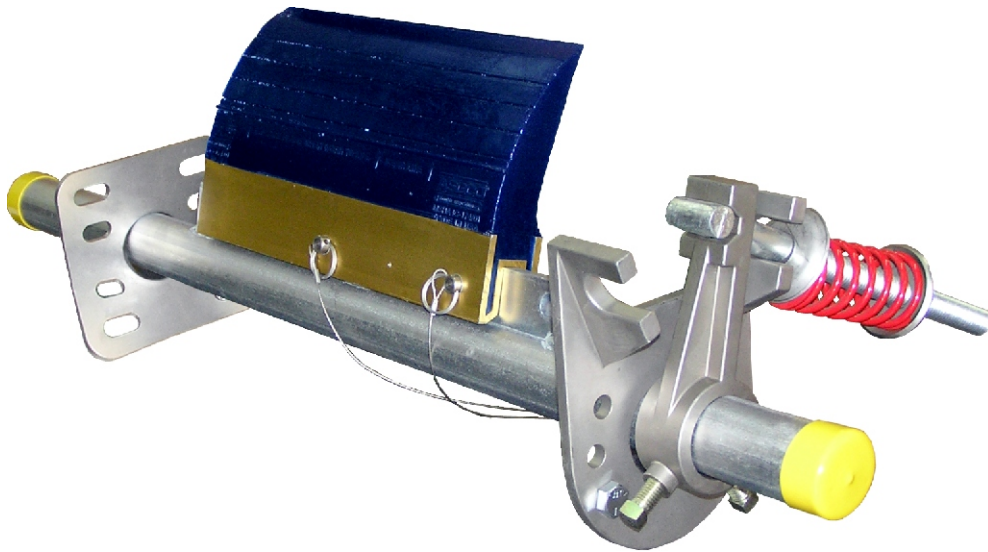


SKALPER III[®]

with Force-1[®] Tensioner
Economical Solution for Better Belt Cleaning

The **Skalper III** conveyor belt pre-cleaner features the Skalper blade design and an effectively simple and accurate all stainless steel Force-1 tensioner with an economical price tag. The urethane composites used in the Skalper III blade are designed for the aggregate industries.



- **Excellent Performance** - of our patented Skalper Blade design maintains an effective cleaning edge throughout the life of the blade and can be changed for the optimum in blade coverage across the belt's material carry path for better cleaning efficiency.
- **Quick-Change Blade** - stainless steel pin blade change-out system is a one-minute, no-tool operation.
- **Force-1 Tensioner** - (lifetime warranty) all stainless steel tensioner provides the effective tension to the Skalper blade as it self-adjusts and can be easily reset to optimal blade tension.
- **Skalper III System** - tensioners can be upgraded to E-Z Torque.

Skalper III System also available with these blades:

Skalper IV



85 Duro

Skalper II



95 Duro

High Temp



85 Duro
220° F

Ultra High Temp



95 Duro
300° F

ASGCO[®]
Complete Conveyor Solutions

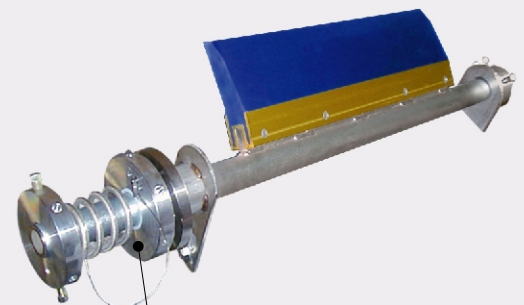


Good primary cleaner for less aggressive applications.



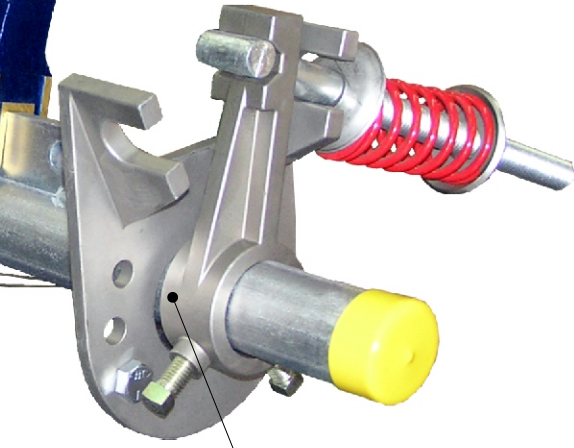
Skalper III belt cleaner in operation at a sand and gravel plant.

Skalper III System also available with E-Z Torque Tensioner



E-Z Torque[®] Tensioner

- Simple and accurate
- Single hand tensioning
- Superior elasticity



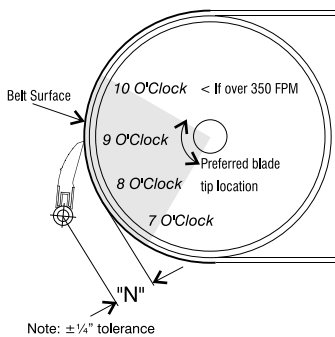
Force-1 Tensioner

- Simple and accurate
- Single hand tensioning
- Superior elasticity

Skalper® III Blade with Force-1

- The Skalper III® blade uses ASGCOthane, a special polymer designed to handle mechanical fasteners and high belt speeds
- Two stainless steel pins with lanyards make Skalper III easy to change.
- Single piece blade - not segmented - no trapping of materials which may endanger belt life. . . yet very flexible.
- The Skalper III® blade is extremely abrasion resistant and very flexible with high memory.
- Force-1 tensioner is a cast 304 stainless steel tensioning system with UMHW bushings on both mounting brackets
- Proven particularly successful in applications as varied as coal, phosphate, fertilizer, aggregate, cement, iron ore, taconite, silica sand, scrubber sludge, fly ash and many others

Installation Dimensions



"N" Dimension Table			
Note the tolerance is $\pm 1/4"$			
Inches	Millimeters	Inches	Millimeters
8	203	5-3/4	146
10	254	5-3/8	137
12	305	5	127
14	356	4-5/8	117
16	406	4-1/4	108
18	457	4	102
20	508	3-7/8	98
24	610	3-1/2	89
30	762	3-1/4	83
36-42	915-1067	3	76
48-60	1219-1524	3	76

U.S. Patent No. 6,182,816
Other Patents Pending

New blade profile generates more flex for better shedding during last half of blade wearlife



More clearance area means no material build up.

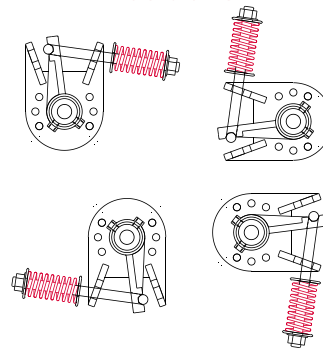
Skalper III Part Numbers

Part Number	Belt Width
M-SBB-SYS-18-DS	18
M-SBB-SYS-24-DS	24
M-SBB-SYS-30-DS	30
M-SBB-SYS-36-DS	36
M-SBB-SYS-42-DS	42
M-SBB-SYS-48-DS	48
M-SBB-SYS-54-DS	54
M-SBB-SYS-60-DS	60
M-SBB-SYS-72-DS	72

Tensioner Compression Calculation Chart

	BW	"D" DIMENSION	AMOUNT OF PRODUCED FORCE	TORQUE
STARTING DIMENSION = 3.6250"				
LIGHT DUTY SPRING (RED)	18	3.125	20	6.40
	24	3.000	26	8.67
	30	2.750	32	11.64
	36	2.625	38	14.48
HEAVY DUTY SPRING (SILVER)	42	2.375	44	18.53
	48	3.375	50	14.81
	54	3.250	60	18.46
	64	3.125	66	21.12
	72	2.875	72	25.04
	84	2.625	78	29.71

Tensioner Mounting Positions



Replacement Blades

Part Number	Blade Width
ASG-SBB-12A	12
ASG-SBB-18A	18
ASG-SBB-24A	24
ASG-SBB-30A	30
ASG-SBB-36A	36
ASG-SBB-42A	42
ASG-SBB-48A	48
ASG-SBB-54A	54
ASG-SBB-60A	60
ASG-SBB-72A	72
ASG-SBB-60A	78
ASG-SBB-72A	84

