

ASGCO

WEIGH BELT SCALE

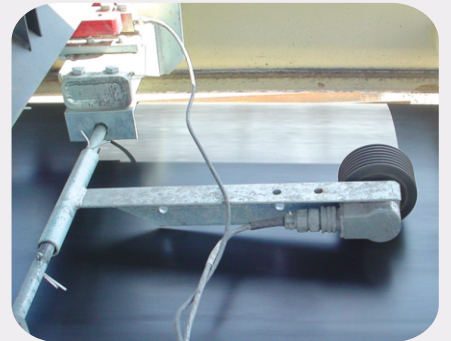
Conveyor Accessories - Simple and Accurate

ASGCO®

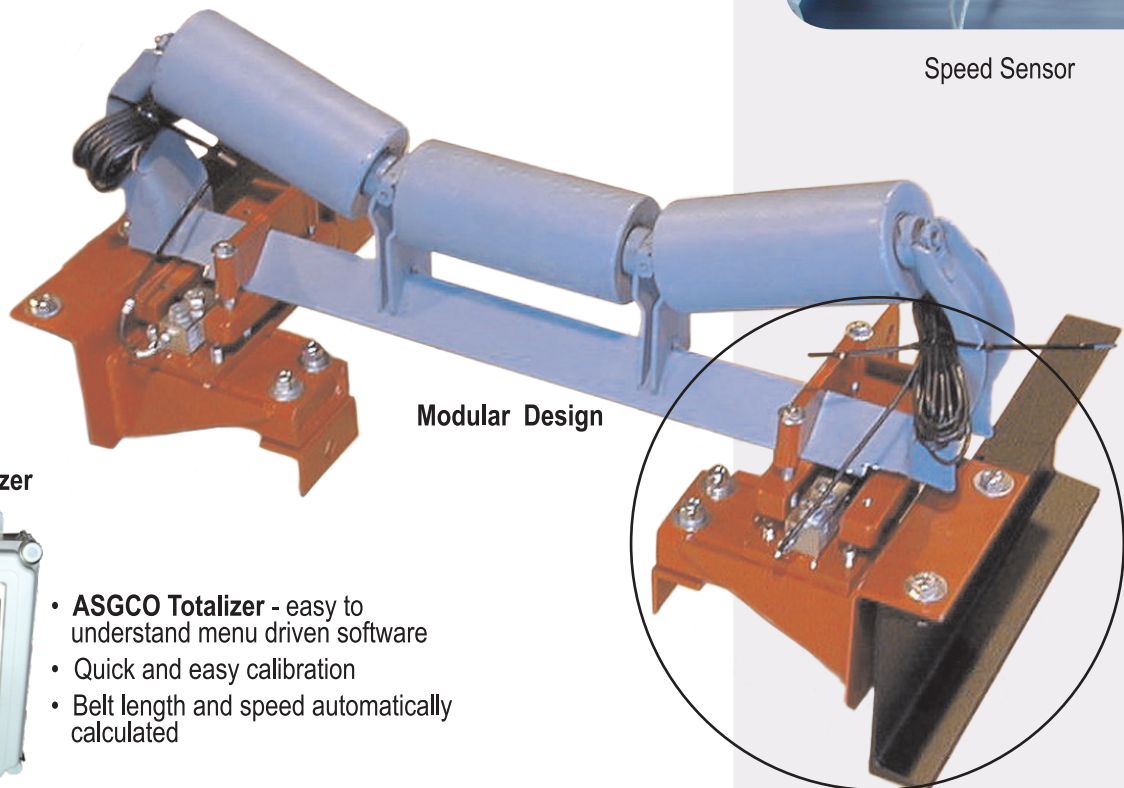
Complete Conveyor Solutions

Modular in design, ASGCO **Weigh Belt Scale** performs in a wide variety of conveyor styles and structures in English or metric. Versatile ASGCO Weigh Belt Scale installs in series to create a 2 or 3 idler weigh bridge - minimum of 2 load cells.

- **Easy to Install** - ASGCO Weigh Belt Scale which typically takes less than 2 hours for complete installation and start up!
- **Virtually Maintenance Free** - because its low profile minimizes build-up areas where dust and dirt accumulate.
- **User Friendly Software Powers the ASGCO Totalizer** - requiring input of only 5 field parameters before initial calibration.
- **The Totalizer is Automated** - because belt length and speed are automatically calculated and entered.
- **Totalizer Provides a Wide Variety of Outputs** - to drive printers, chart recorders, PLC devices and controllers.
- **ASGCO Weigh Belt Scale is Simple** - consisting of a speed sensor standard encoder - no expensive housings or assemblies
- **A Wide Selection of Options are Available** - wheel mount kit for speed sensor, cross tube kit for heavy duty / high belt loading applications, low capacity load cells for light duty applications and field wiring installation kits.



Speed Sensor



Modular Design

ASGCO Totalizer



- **ASGCO Totalizer** - easy to understand menu driven software
- Quick and easy calibration
- Belt length and speed automatically calculated

Providing the World Material Handling Industry with Productive, Safe and Reliable "Complete Conveyor Solutions."

301 Gordon Street . Allentown, PA 18102 . 1-800-344-4000 . Fax: 610-778-8991 . www.asgco.com

WEIGH BELT SCALE

TECHNICAL INFORMATION

PRECISION ACCURACY

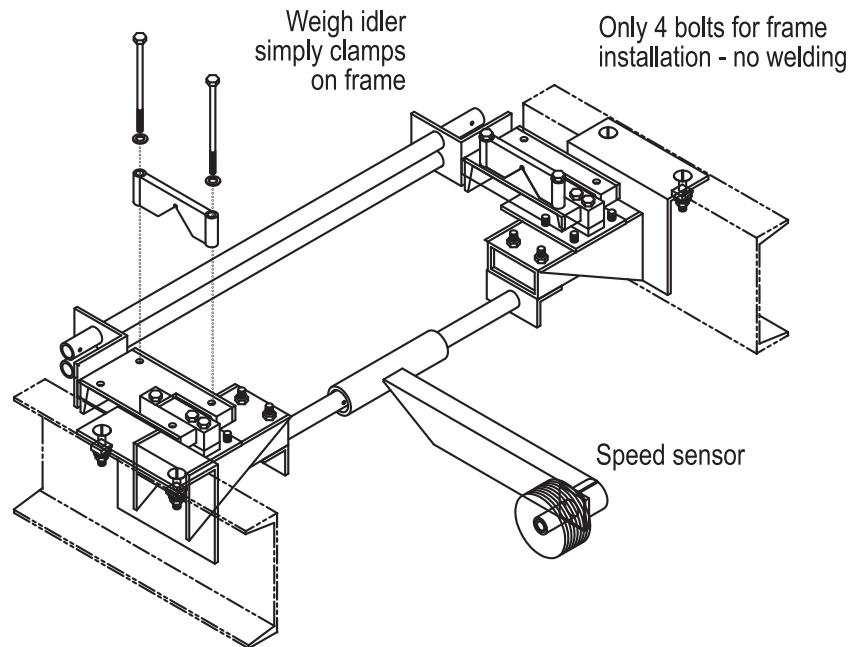
Single Idler with Speed Sensor (as shown):
Approx. 1% Accuracy

Single Idler without Speed Sensor:
Approx. 2% - 4% Accuracy

With Multi-Idler:
Approx. 1/4% Accuracy

**Complete installation
and start-up in as
little as 2 hours**

Modular Design - can be used in a
wide variety of conveyor styles



ASGCO-Weigh

ASGCO Weigh Scale Engineering Specifications:

Power

- Automatically selects input voltage
- Field selectable
- 50/60 Hz, 35VA

Operating Temperature

- 20° to +50°C
- 4° to +122°F

Inputs:

Load Cells:

- 0 to 45 mV per Load Cell
- Up to 10 Load Cells

Speed Sensor:

- 5VDC pulses
- 20 Hz to 2000 Hz

Outputs:

- Rate: 4-20mA, 750W Load
- Communications: RS232C
- Digital Total: Dry contact - pulsed

Selectable Units:

- Tons/Hr, Pounds/Hr, Pounds/Min, Kg/Hr, Kg/Min

| Part Number | Description |
|-----------------------|----------------------------------------------------------------------------------------------------------------------------------------------------------------------------------------------------------|
| M-1842-T/S-SLC-FA77 | ASGCO-Weigh FA77 Single Idler Scale System: Includes TA75 Totalizer SS05 speed sensor (Shaft of trailer mount), standard capacity load cells and weight hanger bar. |
| M-4872-T/S-SLC-FA77 | ASGCO-Weigh FA77 Single Idler Scale System: Includes TA75 Totalizer SS05 speed sensor (Shaft of trailer mount), standard capacity load cells and weight hanger bar and Cross Tube. |
| M-1842-T/S-LCLC-FA77 | ASGCO-Weigh FA77-LC Low Capacity Single Idler Scale System: Includes TA75 Totalizer SS05 speed sensor (Shaft of trailer mount), standard capacity load cells and weight hanger bar. |
| M-4872-T/S-LCLC-FA77 | ASGCO-Weigh FA77 Single Idler Scale System: Includes TA75 Totalizer SS05 speed sensor (Shaft of trailer mount), standard capacity load cells and weight hanger bar and Cross Tube. |
| M-1842-T/S-SLC-O-FA77 | ASGCO-Weigh Monitor Single Idler Scale System for general weighing with 2-4% accuracy Includes TA75 Totalizer, std cap load cells and weight hanger bar. (No Speed Sensor) |
| M-4872-T/S-SLC-O-FA77 | ASGCO-Weigh Monitor Single Idler Scale System for general weighing with 2-4% accuracy includes TA75 Totalizer, std cap load cells and weight hanger bar. (No Speed Sensor) With Cross Tube for Stability |

| Part Number | Description |
|-----------------------|---------------------------------|
| AWS-WEIGHTS-10LB | 10# hang on calibration weights |
| AWS-WEIGHTS-20LB | 20# hang on calibration weights |
| Replacement Totalizer | |
| ASG-AWS-TOTALIZER | TA75 Totalizer |

Providing the World Material Handling Industry with Productive, Safe and Reliable "Complete Conveyor Solutions."

301 Gordon Street . Allentown, PA 18102 . 1-800-344-4000 . Fax: 610-778-8991 . www.asgco.com