



# IMPACT BEDS

## INSTALLATION, OPERATION & MAINTENANCE INSTRUCTIONS



Check us out at  
[www.asgco.com](http://www.asgco.com)

**Customer Service**  
**800-344-4000**

24 Hour Emergency  
Service and Parts  
610-821-0210



ASGCO Mfg., Inc.  
301 Gordon Street  
Allentown, PA 18102  
610-821-0216  
FAX 610-778-8991

## Important Safety Notice

*Always observe the basic rules of safety when working with any conveyor system. To avoid injury and equipment damage, be sure that all controls to the conveyor are locked out and the power source is disconnected at all times during installation.*

### Very Important

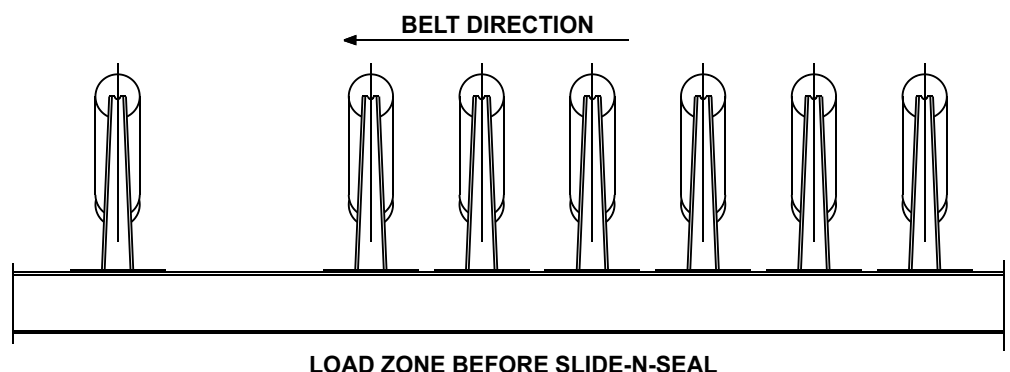
Before burning or welding, remove all flammable materials located around and below your work area so that they cannot be ignited by hot sparks or slag. Post a fire watch if you cannot see all area affected by sparks or slag. Keep a fire extinguisher and a first-aid kit on hand at all times.

### Items Needed For Installation:

Carpenter's Square  
Tape Measure  
Torch or Drill With Bits  
Bolts, Nuts, and Washers for bolting support frames  
to structure.  
Wrenches

### Impact Bed Rules to always follow:

1. Always have a Troughing roller of the same degree of trough that the Impact Bed is designed just before the Slider bed.
2. Impact Beds are designed to be 1/4" below the bottom surface of the belt as measured at the top of the center roll of the trougher just before and just after the Slide-N-Roll bed.
3. Always have a Troughing roller of the same degree of trough that the Impact Bed is designed just after the slider bed.



---

**Location Selection:**

Impact beds are designed to be installed in the skirted zone area of a conveyor belt. Typically the Impact will begin approximately 8" from the closest existing troughing idler just prior to the load zone.

---

**Installation:**

- 1.)** Remove the existing Troughing Rollers where the Impact Bed will be installed.
- 2.)** Measure approximately 8" from the side of the troughing roller which will be just before the Impact Bed. This will be the center line of the first support frame. (See Fig. 1)
- 3.)** Square across the conveyor and mark the frame on the opposite side.
- 4.)** Lay-out location of mounting holes 4 1/2" each side of the centerline. Distance across the conveyor frame is Belt Width plus 9".
- 5.)** Install first frame with the slotted angle on the side toward the tail of the conveyor.
- 6.)** Lay-out and install remaining frames, (See chart for recommended spacing)

48" Long System		60" Long System	
Number of Supports	Support Spacing	Number of Supports	Support Spacing
4	12"	5	12"
3	18"	4	16"
		3	24"

- 7.)** Slide attachment bolts into slots in the slider rails. Use the same number of bolts as support frames. (See fig. 2)

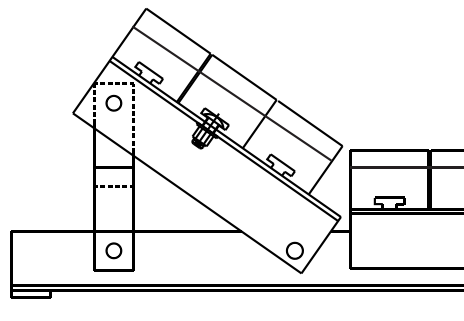
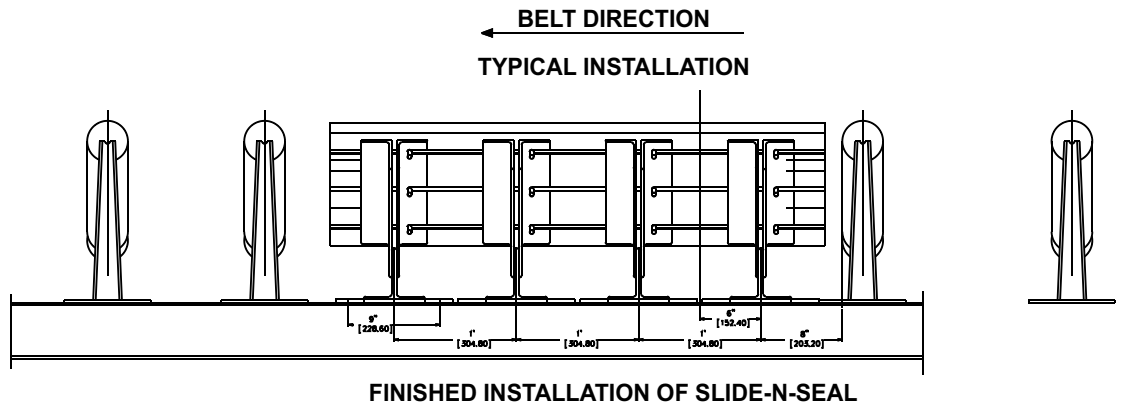


Fig. 2

- 8.) Slide the slider rail from the side onto the support frames to the most distant location that can be reached.
- 9.) Move the attachment bolts in the slots until they engage the slots in the support frame angles.
- 10.) Install nuts on the attachment bolts and tighten



---

## MAINTENANCE

Since there are no moving parts to the Impact Bed the maintenance of the unit is limited to visual inspection for loose nuts and bolts and an occasional inspection to determine the wear of the slider bars.

The wear of the slider bars will normally be concentrated near the center of the Impact Bed. The ends of the bars will not be worn because the roller before and after the slider bed will prevent the belt from contacting the bars.

To inspect for the wear the center of the bed must be be measured by reaching to the center of the bed and using a tape measure between the slider bars. Measure the thickness of the bar in the center of the bed. (See Fig. 4)

The bars should be replaced when the remaining thickness is approximately 1".

