

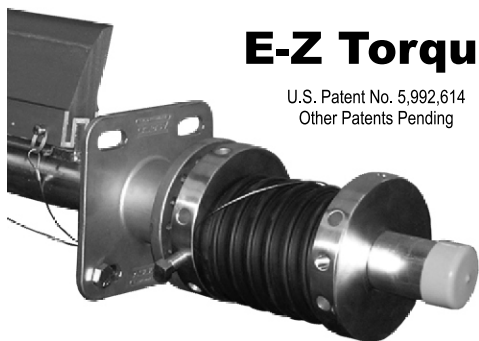


MINI-SKALPER[®]

with E-Z Torque[®]

INSTALLATION, OPERATION & MAINTENANCE INSTRUCTIONS

For All Skalper Blade Types: Skalper I, Skalper II,
High Temp & Ultra High Temp



E-Z Torque[®]

U.S. Patent No. 5,992,614
Other Patents Pending

Check us out at
www.asgco.com

Customer Service
800-344-4000



24 Hour Emergency
Service and Parts
610-821-0210



ASGCO Mfg., Inc.
301 Gordon Street
Allentown, PA 18102
610-821-0216
FAX 610-778-8991

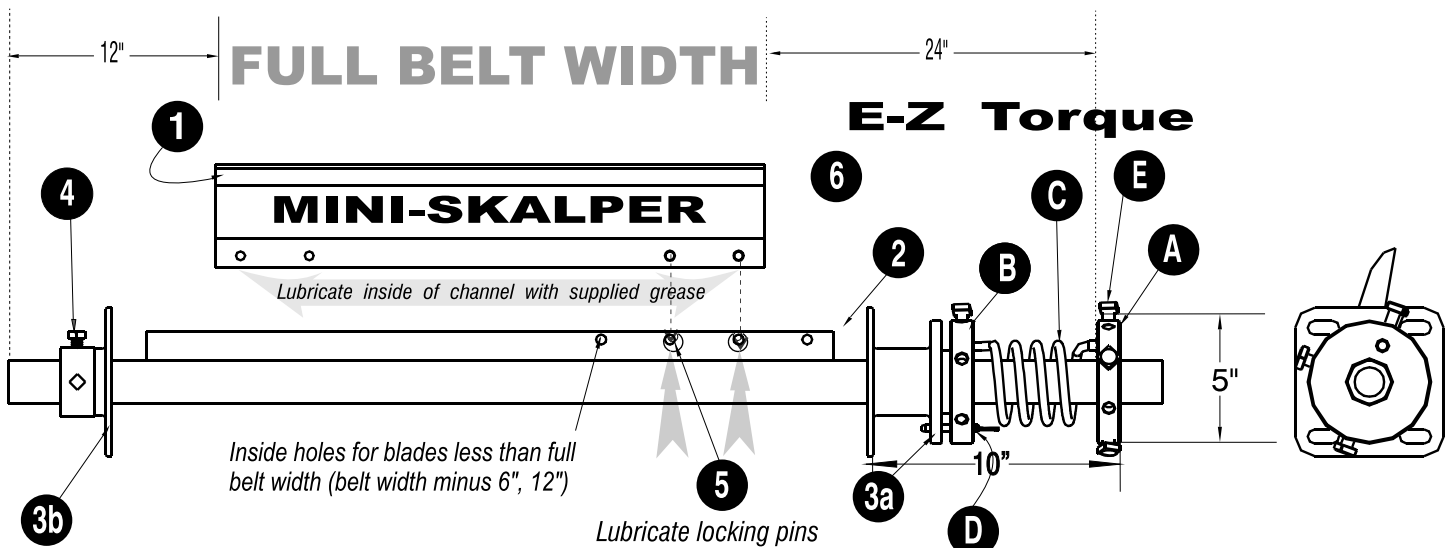
Important Safety Notice

Always observe the basic rules of safety when working with any conveyor system. To avoid injury and equipment damage, be sure that all controls to the conveyor are locked out and the power source is disconnected at all times during installation.

Overall View


If mounting structure is not available, additional steel may have to be added. *Note: Excess mounting tube may be trimmed after installation. Also note required lubrication of components.*

Components Diagram



- ① Skalper Clean Blade
- ② Mounting Tube
- ③a Tension Side Mounting Bracket w/collar
- ③b Opposite Side Mounting Bracket
- ④ Locking Collar with Set Screws
- ⑤ Locking Pins (2)

- ⑥ E-Z Torque Tensioner
- Ⓐ Outer Collar
- Ⓑ Inside Collar
- Ⓒ Spring
- Ⓓ Locking Pin
- Ⓔ Outer Collar Set Screws

 Heavy Duty spring for BW 48" and above

See last page for Part Number and Ordering Information

The E-Z Torque Mini-Skalper is a Primary Cleaner designed to be installed on pulleys.

Determine the Critical "N" Dimension

Determining the "N" dimension, the distance from the belt surface to the mounting tube center, is critical to get the maximum cleaning performance from your system. Make sure mounting tube and tensioner system are clear of obstacles.

"N" Dimension Table	
Pulley Diameter	"N" Dimension
Note the tolerance is $\pm 1/4$"	
6"	4-5/16"
8"	3-15/16"
10"	3-11/16"
12"	3-7/16"
14"	3-3/16"
16" and up	3-1/16"

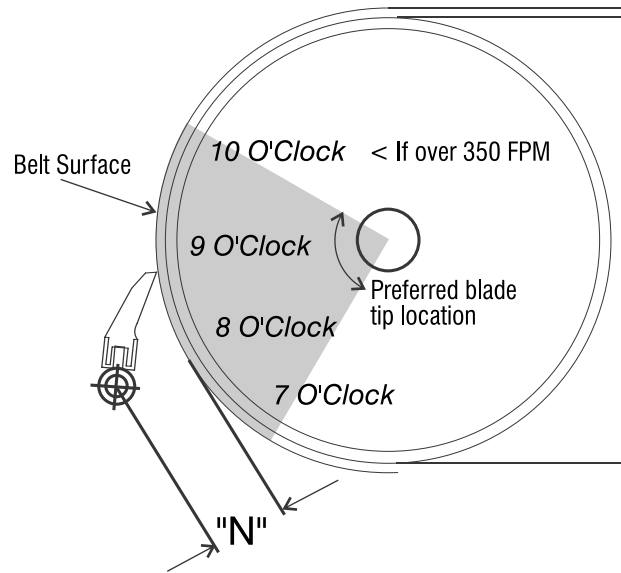
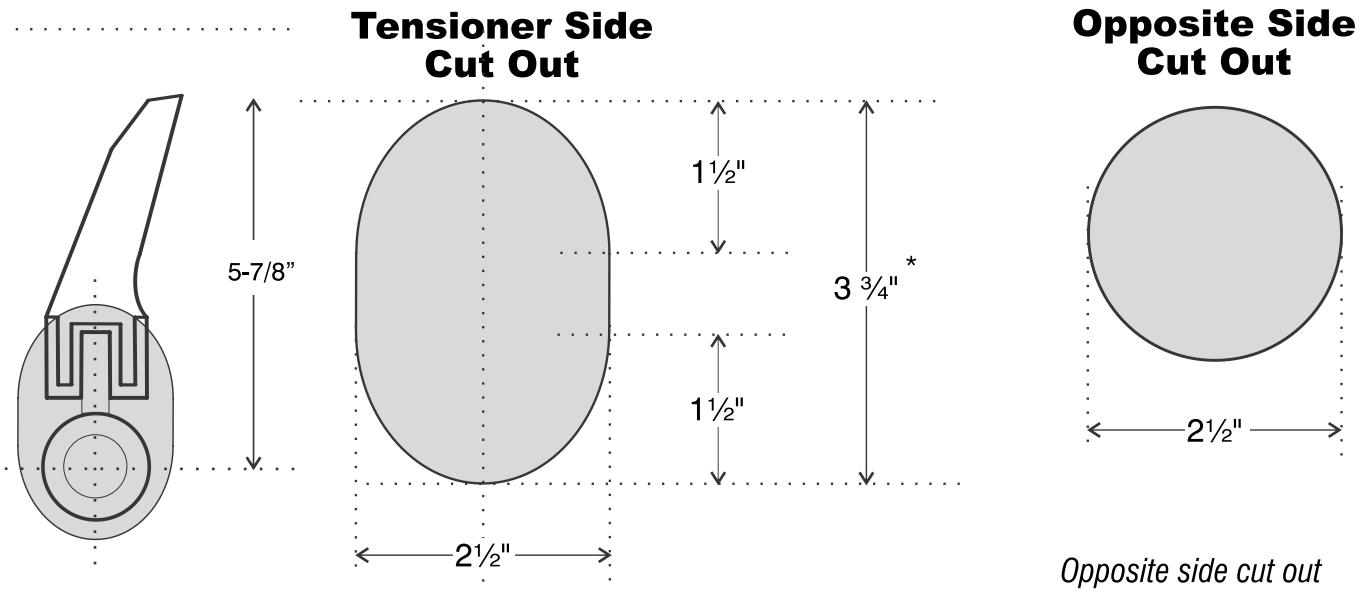


Figure 1: Typical Mounting Position
*Note: $\pm 1/4$ " tolerance

Cut Chute Openings

Determining the desired location of the mounting brackets. The required slot sizes/locations are shown for the tensioner side chute cut outs.



*Dimension is 6" for BW 72" and greater

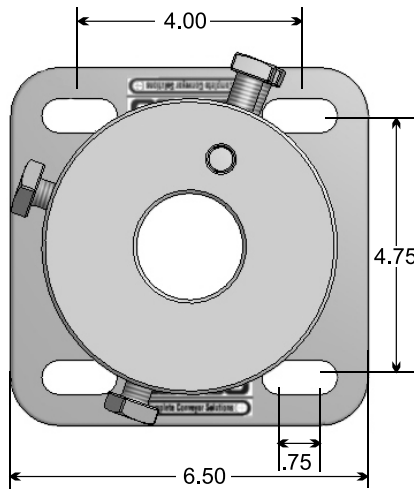
Opposite side cut out is a 2 1/2" hole to install mounting tube

Put Mounting Tube through Cut Outs

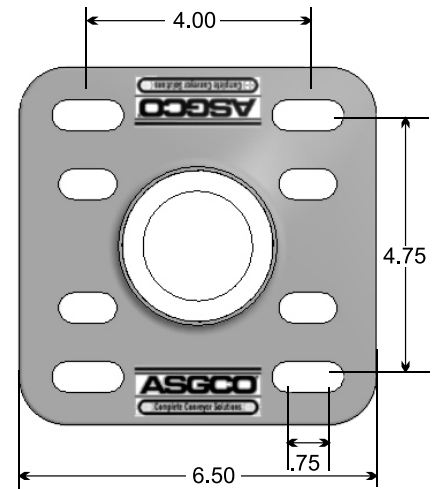
Place the mounting tube through the chute cut outs so that the long tube section is on the tensioner side. Place the blade onto the blade holder. Visually check the blade position and contact with the belt/pulley.

Mount Brackets

Determine the desired location of the mounting brackets. Attach the mounting brackets to the conveyor frame by welding or bolting.



Tensioner Side

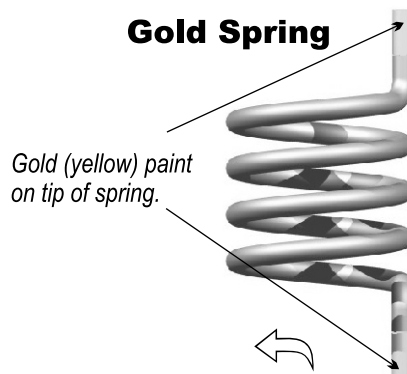


Opposite Side

Select Correct Spring

Each E-Z Skalper System is shipped with two springs of opposite handedness. To determine the proper spring to use:

Face the head pulley as the material would come to you. If the E-Z torque tensioner is to your right side, then use the Silver Spring (entire spring is silver-grey). If the tensioner is to your left, then use the Gold Spring (yellow tipped spring).



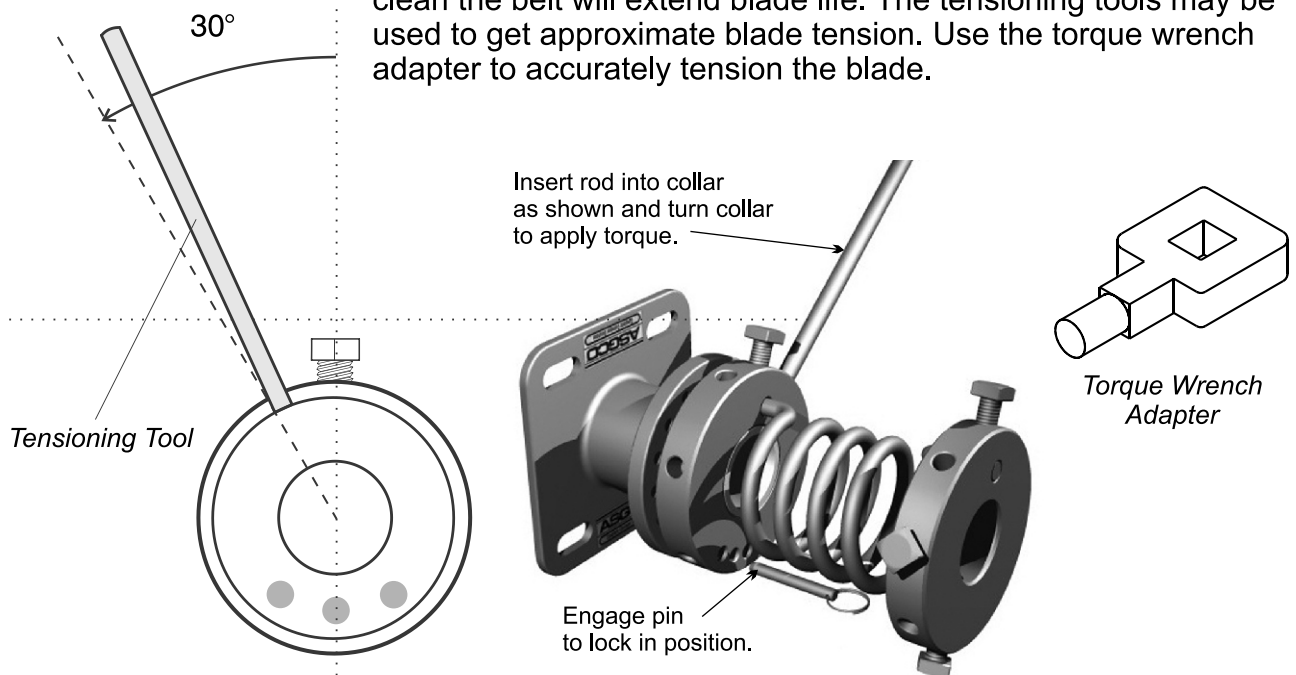
Assemble E-Z Torque Tensioner:

Assemble the components of the E-Z Torque tensioner. Tighten all set screws to 70 ft./lbs.

OPERATION & MAINTENANCE

Tension

- 1.) Set tension with approximately one ($\frac{3}{4}$) lb. of force per inch of blade width. Approximately 22½ lbs. of force for a 30" blade. For the standard duty spring use approximately 1 ft.-lb. of torque per degree of rotation. (1 ft.-lb. torque will give approx. 1 lb. force at the blade tip.) For the heavy duty spring use approximately 2 ft.-lbs. of torque per degree of rotation. Decrease or increase as necessary. The minimum amount of blade force required to clean the belt will extend blade life. The tensioning tools may be used to get approximate blade tension. Use the torque wrench adapter to accurately tension the blade.



- 2.) Frequent inspections the key to proper belt cleaning and easy scraper servicing. Weekly inspections are recommended, but actual service frequency may vary widely depending on various plant operating conditions.
- 3.) Inspect the belt surfaces and edges for cracks, splits, tears, holes or any other worn or damaged condition occurring on the surfaces or edges of the belt itself. If necessary make repairs to the belt. Wash the entire cleaner regularly to prevent excessive build-up. Check the tightness of all fasteners.
- 4.) Inspect for proper operation. Adjust tension as required.
- 5.) Replace the Skalper scraper blade as required. Use only ASGCO Manufacturing approved replacement scraper blades.

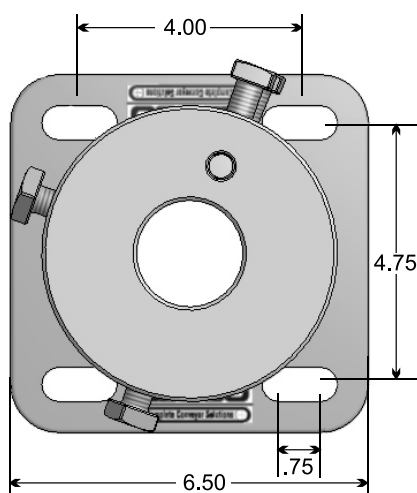
Effective November 1, 2009, ASGCO will be upgrading all Skalper Series Primary Cleaners with NEW Square Mounting Brackets. The mounting hole spacing and dimensions are shown below. All other chute cut-outs and "N" dimensions remain unchanged.

Put Mounting Tube through Cut Outs

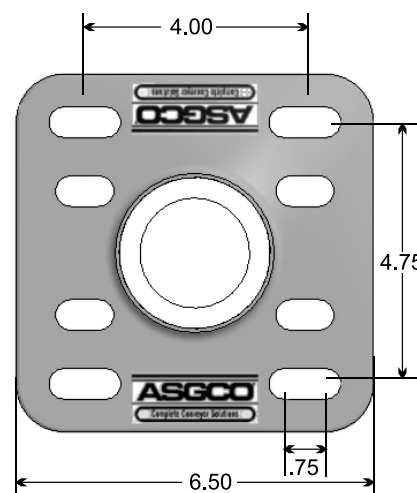
Place the mounting tube through the chute cut outs so that the long tube section is on the tensioner side. Place the blade onto the blade holder. Visually check the blade position and contact with the belt/pulley.

Mount Brackets

Determine the desired location of the mounting brackets. Attach the mounting brackets to the conveyor frame by welding or bolting.



Tensioner Side



Opposite Side

Information

Key	Description	Part Number
1	Mini-Skalper Blade Replacement	ASG-SK[X]M-[BW]A [X] = Blade Type, [BW] = Blade Width
2	Mounting Tube	M-ASG-SKMT-[BW]-AM
3A	Mounting Bracket Tension Side	ASG-EZT-TS-ASM-1 (Includes Inside Collar)
3B	Mounting Bracket Opposite Side	ASG-F1-MB-OS
	Bushing (Off-Side)	ASG-F1-UHMW-BUSHING
4	Locking Collar with Set Screws	ASG-F1-LC
5	Locking Pins (2)	M-ASG-SKMT-CL
6	E-Z Torque	M-ASG-EZT-1 (M-ASG-EZT-A-1)
	Bushing (Tension Side)	ASG-EZT-BUSHING
6A	Outside Collar	ASG-EZT-OCHS-SS-1
6B	Inside Collar	ASG-EZT-ILC-SS-1
6C	Spring	ASG-ROT-[LS or RS]-{1242 or 4896}
6D	Locking Pin (Tensioner)	M-ASG-ROT-LPC
	Rotary Tensioning Tool	ASG-ROT-TT
6E	Spring Cover	ASG-EZT-SPRING-COVER

Call your ASGCO Distributor for any questions or replacement parts

TROUBLE SHOOTING

PROBLEM	SOLUTION
<i>Excess vibration of the scraper.</i>	<p>Make certain all bolts are tight and the pin is securely engaged on the tensioner.</p> <p>Ensure the cleaners N-dimension is proper (See Table and Figure 1).</p>
<i>Excess carryback.</i>	<p>Check for excess build-up on the scraper.</p> <p>Check for proper Scraper tension. Put additional tension on cleaner.</p> <p>Check for non-uniform scraper wear.</p> <p>Check N-dimension.</p> <p>Clean the back-side of the belt cleaner.</p>
<i>Check for wear on the cleaning tips.</i>	<p>Check thickness of carryback. If the cleaner must remove more than about 1/8" of material then an additional cleaner may be needed.</p>
<i>Frozen material on scraper.</i>	<p>Place heaters near scraper to melt frozen material. (Use caution not to burn belt or cleaner)</p>
<i>Blade wearing in center</i>	<p>BW-6" BW-12 (Put a new blade on the concentrates cleaning in the center of the flow of the material.</p>
<i>Blade wearing more on one side</i>	<p>Check N-dimension.</p>