

RECOMMENDED CUTTING PROCEDURES FOR WEAR BARS and CHOCKY BARS ONLY!

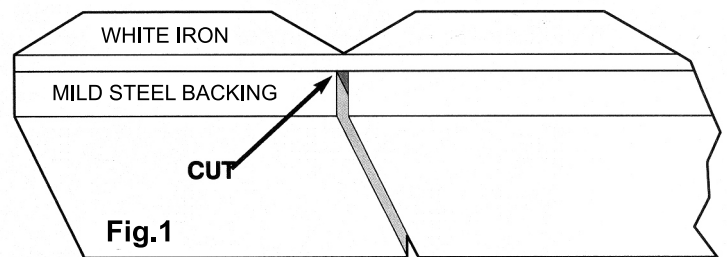
High pressure abrasive water cutting is the preferred cutting method when available. If not available, cutting by abrasive disc is recommended.

Thermal cutting using an oxyacetylene torch, arc-air or plasma is **NOT** recommended due to high localized heat input and high risk of cracking and delamination.

READ ALL CUTTING PROCEDURES COMPLETELY!

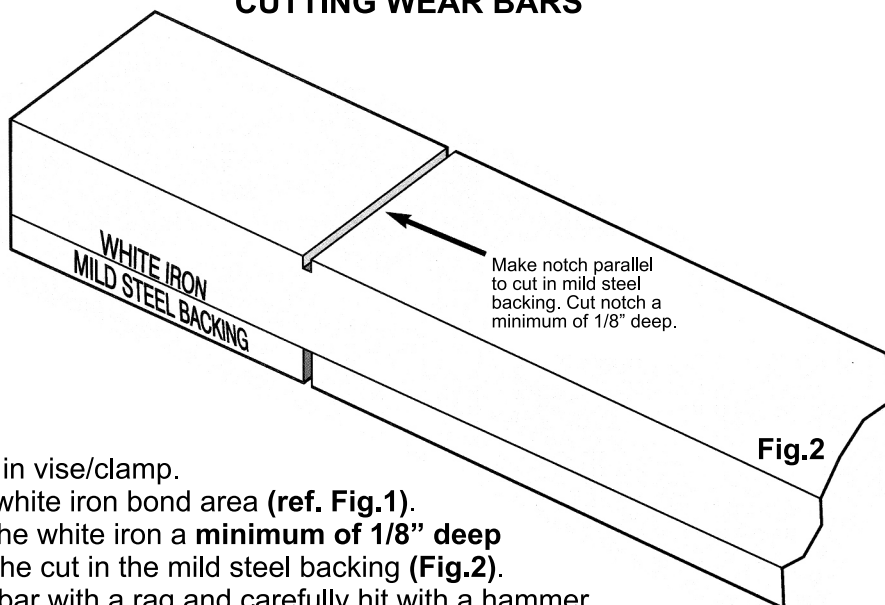
CUTTING "CHOCKY" BARS

1. Place "chocky" bar in vise/clamp.
2. Cut through to white iron bond area (**Fig.1**).
3. Wrap "chocky" bar with a rag and carefully hit it with a hammer. The piece should break cleanly at the notch.



CUTTING WEAR BARS

1. Place wear bar in vise/clamp.
2. Cut through to white iron bond area (ref. Fig.1).
3. Cut a notch in the white iron a **minimum of 1/8" deep** and parallel to the cut in the mild steel backing (**Fig.2**).
4. Wrap the wear bar with a rag and carefully hit with a hammer. The piece should break cleanly at the notch. **NOTE:** The deeper the notch in the white iron, the cleaner the break.



We recommend you always use a soft-face hammer and ANSI-approved (Z87.1) eye protection during cutting and bending procedures.