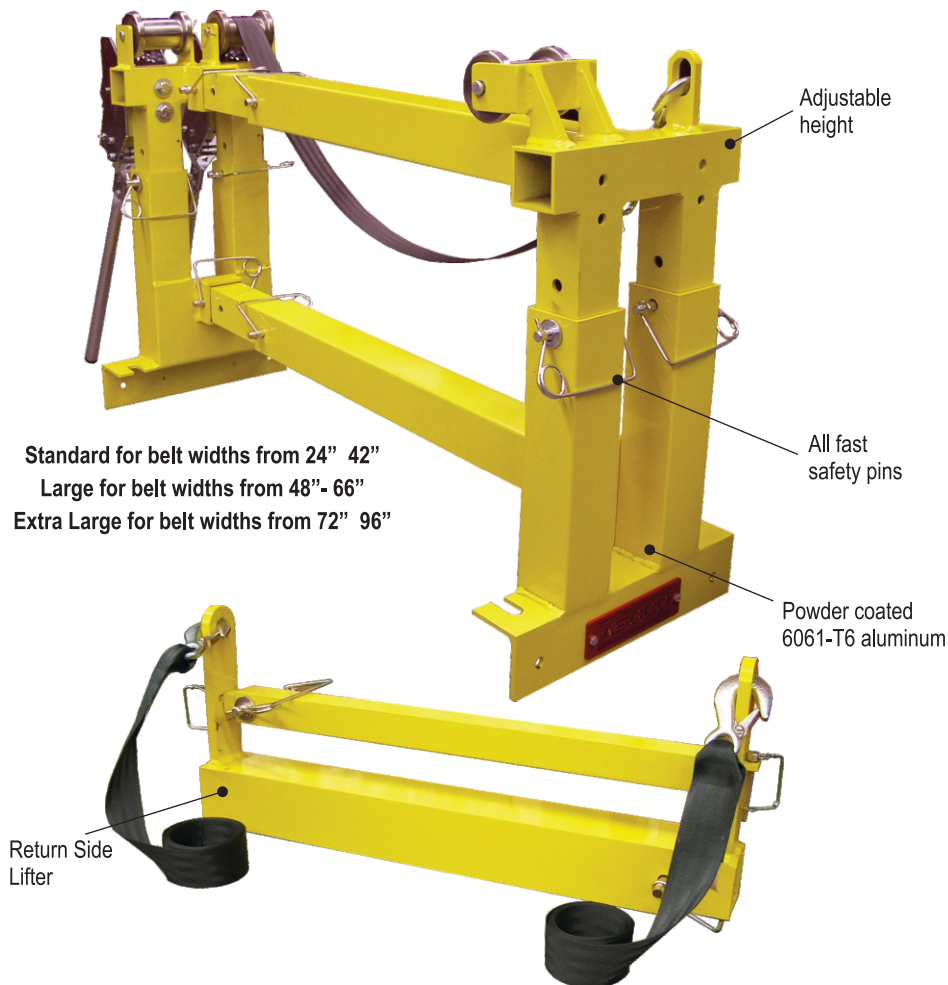


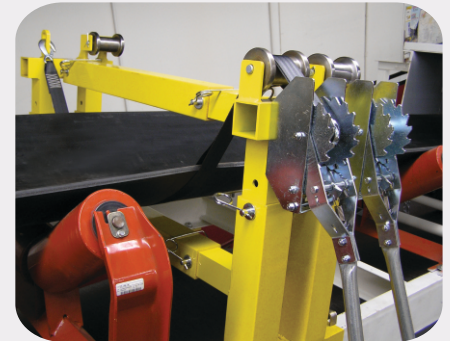
SAFE-GUARD BELT LIFTER

ASGCO[®]
Complete Conveyor Solutions

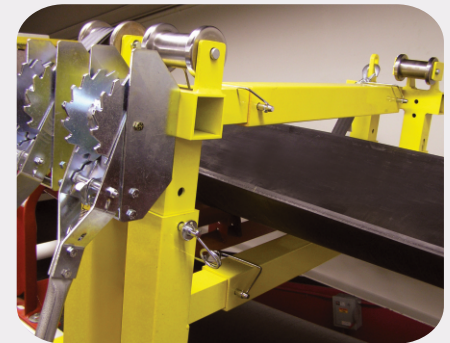
The “**Belt-Lifter**” is designed and built for the highest safety rating available. This device is designed to lift a tensioned trough or return side of a conveyor belt to be able to remove and install idlers on the conveyor system safely.



- **Safe Design** - allows workers to safely remove / install both trough and return side idlers without the weight of the tensioned conveyor belt.
- **Effective and Versatile** - manufactured from lightweight 6061-T6 aircraft grade aluminum and versatile mounting allows one model to accommodate several standard CEMA and common underground conveyor structure and idler types.
- **Safely Lift Conveyor Belts** - under tension from flat to trough belts up to 45°, and belts for flat and v-returns idlers.
- **Highest Safe Vertical Lift Rating** - 5000 lb for all models.



Adjustability for any degree of trough.



No tools needed to lift belt.



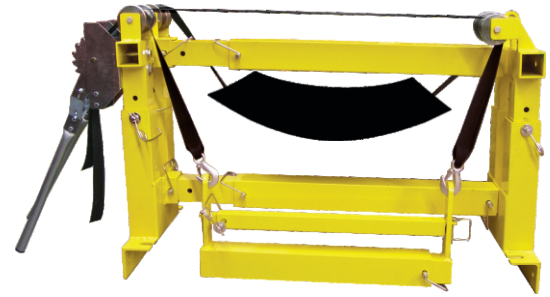
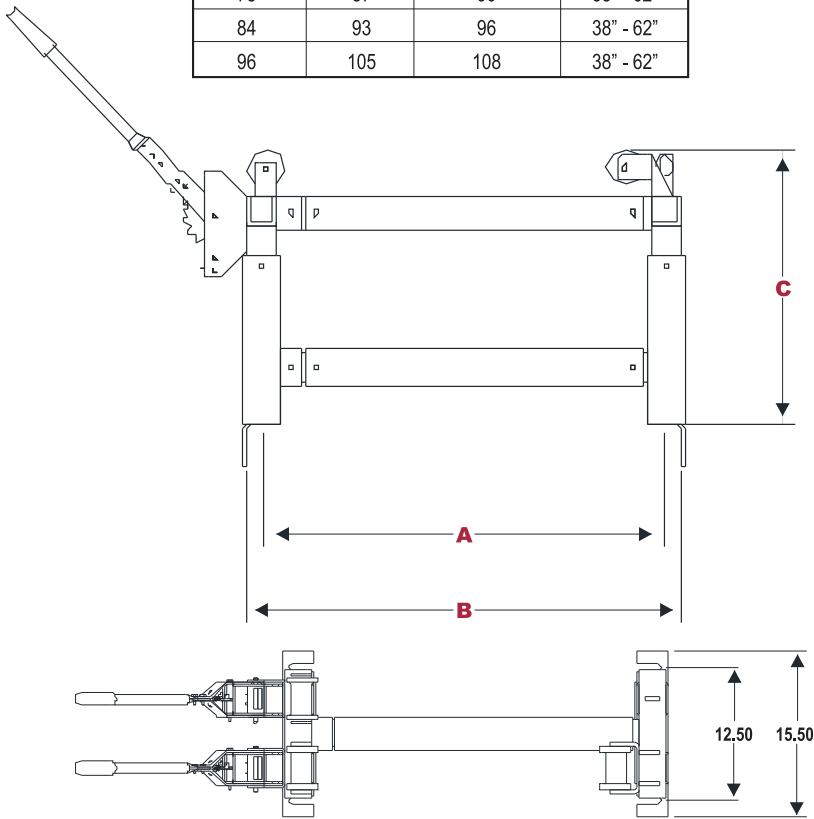
Lifter in action to change out multiple idlers.

Providing the World Material Handling Industry with Productive, Safe and Reliable “Complete Conveyor Solutions.”
301 Gordon Street . Allentown, PA 18102 . 1-800-344-4000 . Fax: 610-778-8991 . www.asgco.com

SAFE-GUARD BELT LIFTER

TECHNICAL INFORMATION

Belt Width (Inches)	"A" (BW+9)	"B" Frame Width	"C" Adj. Height
24	33	36	22.5" - 30.5"
30	39	42	22.5" - 30.5"
36	45	48	22.5" - 30.5"
42	51	54	22.5" - 30.5"
48	57	60	29" - 37"
54	63	66	29" - 37"
60	69	72	29" - 37"
66	75	78	29" - 37"
72	81	84	38" - 62"
78	87	90	38" - 62"
84	93	96	38" - 62"
96	105	108	38" - 62"



Troughed Belts Lifted



Flat Belts Lifted



Return Belts Lifted

Safe-Guard Belt Lifter Part Numbers

Safe-Guard Steel Lifter	Part Number	Belt Widths (inches)	Belt Widths (mm)	Allowable Load
Standard	M-ASG-SGBL-S	24" - 42"	600 - 1050	5000 lbs/2268kg
Large	M-ASG-SGBL-H	48" - 66"	1200 - 1650	5000 lbs/2268kg
X - Large	M-ASG-SGBL-HD	72" - 96"	1800 - 2400	5000 lbs/2268kg

* DO NOT EXCEED SAFE LIFTING CAPACITY OF 5000LBS/2268kg

** INSPECT ALL SLINGS PRIOR TO USE