

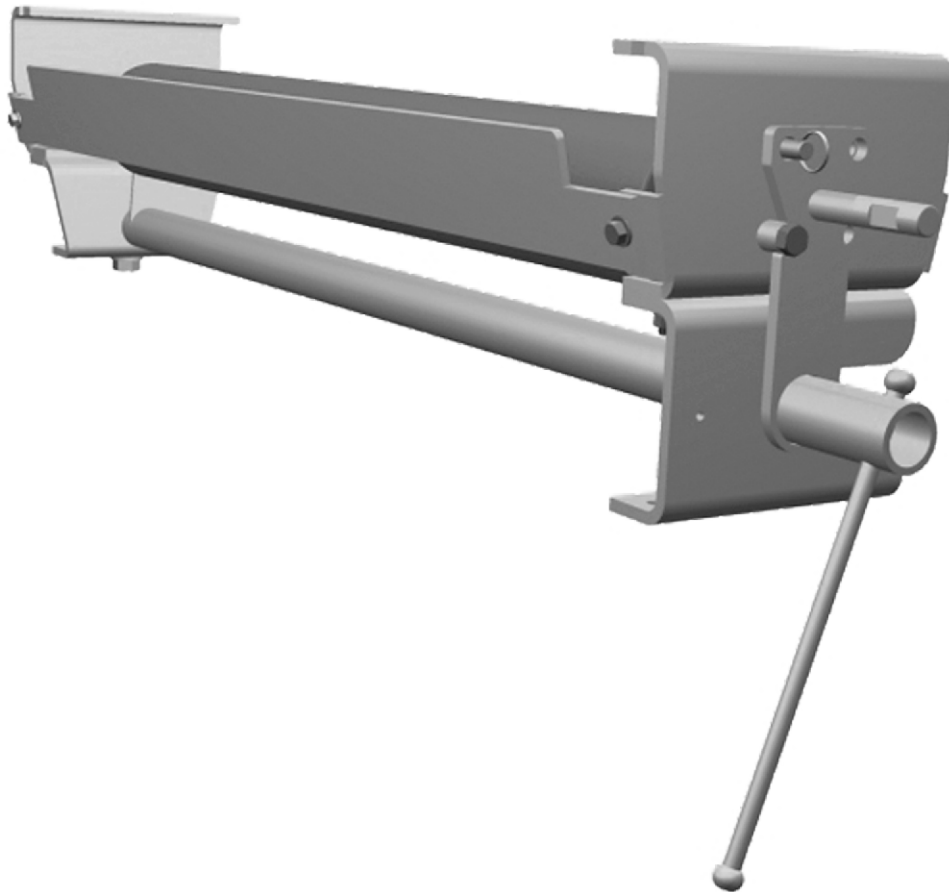
**ASGCO**

Complete Conveyor Solutions

# SAFE-GUARD<sup>®</sup>

## *Return Roll Changer*

# INSTALLATION, OPERATION & MAINTENANCE INSTRUCTIONS



Check us out at  
[www.asgco.com](http://www.asgco.com)

Customer Service  
**800-344-4000**



24 Hour Emergency  
Service and Parts  
610-821-0210



ASGCO Mfg., Inc.  
301 Gordon Street  
Allentown, PA 18102  
610-821-0216  
FAX 610-778-8991

---

**Important  
Safety  
Notice**

*Always observe the basic rules of safety when working with any conveyor system. To avoid injury and equipment damage, be sure that all controls to the conveyor are locked out and the power source is disconnected at all times during installation.*

---

**WARNING:**

PLEASE COMPLETELY READ AND UNDERSTAND THESE INSTRUCTIONS BEFORE ATTEMPTING THE INSTALLATION OF AN ASGCO SAFE-GUARD RETURN ROLL CHANGER. FAILURE TO DO SO COULD LEAD TO SERIOUS INJURY AND EQUIPMENT DAMAGE. ENSURE THAT ALL CONTROLS AND POWER SOURCES TO THE CONVEYOR SYSTEM ARE PROPERLY DISCONNECTED AND LOCKED OUT WHILE INSTALLING, CLEANING OR MAINTAINING THE SAFE-GUARD. NEVER ATTEMPT ANY INSTALLATION, OPERATION OR SERVICE PROCEDURE WHILE THE CONVEYOR IS IN OPERATION.

**WARNING:**

THE SAFE-GUARD RETURN IDLER GUARD IS DESIGNED TO CHANGE/REPLACE THE RETURN IDLER WHILE THE CONVEYOR IS NOT RUNNING. INSTALLATION OF THIS GUARD DOES NOT SUPERSEDE ANY OTHER SAFETY PROCEDURES OR SAFETY PRACTICES. FAILURE TO OBSERVE ALL INSTRUCTIONS COULD RESULT IN SERIOUS INJURY. IT IS THE OWNER'S RESPONSIBILITY THAT THE OWNER AND EACH OPERATOR READ AND BE FAMILIAR WITH THIS MANUAL. CAUTION: IT IS THE OWNER'S RESPONSIBILITY TO ADJUST THE SAFE-GUARD RESTRICTING ALL CONTACT WITH THE TURNING IDLER.

PLEASE CONTACT THE ENGINEERING DEPARTMENT AT ASGCO MANUFACTURING AT 800.344.4000 IF YOU HAVE FURTHER QUESTIONS OR ARE UNSURE OF THESE PROCEDURES.

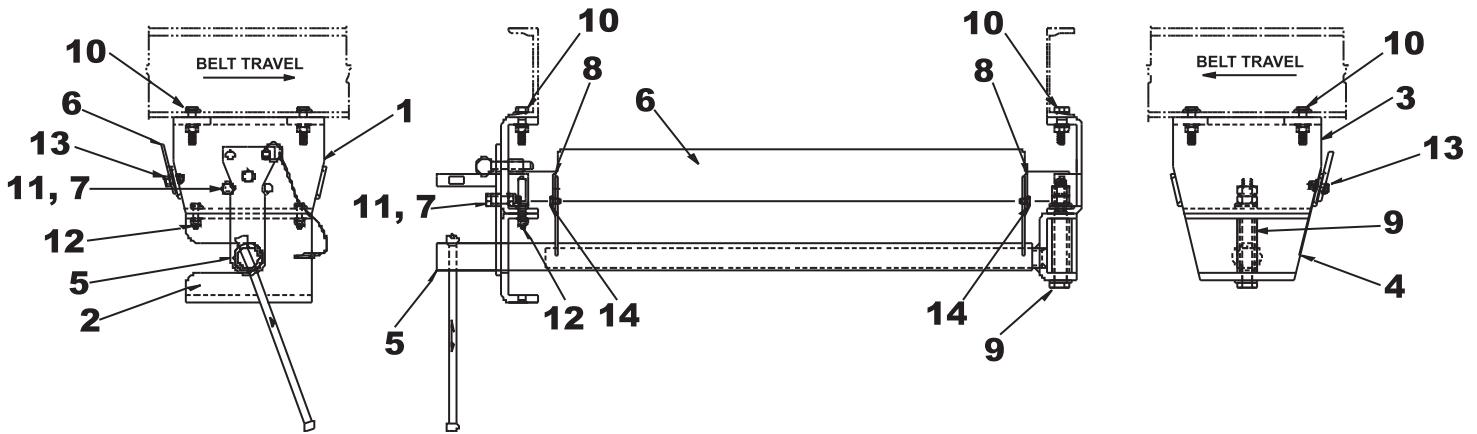


# 1. Identify and Become Familiar With All Parts.

Ensure all parts have been included.

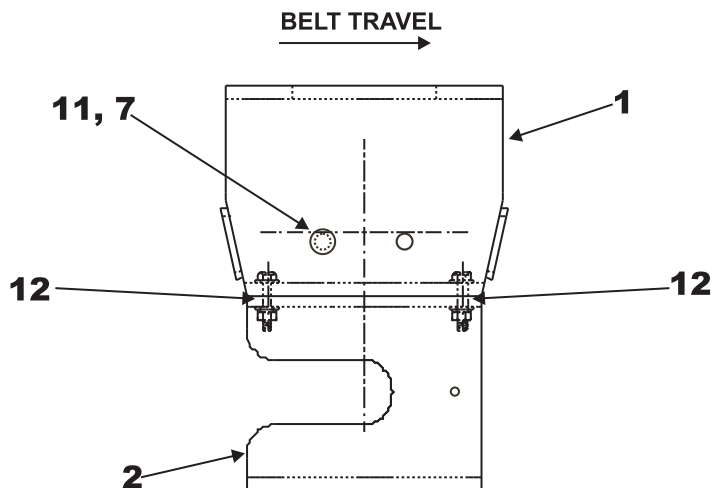
ITEM NO.	QTY.	DESCRIPTION	MATERIAL SPECIFICATION
1	1	UPPER ON-SIDE BRACKET	FABRICATED STEEL
2	1	LOWER ON-SIDE BRACKET	FABRICATED STEEL
3	1	UPPER OFF-SIDE BRACKET	FABRICATED STEEL
4	1	LOWER OFF-SIDE BRACKET	FABRICATED STEEL
5	1	ROLLER SUPPORT	FABRICATED STEEL
6	1	BELT SUPPORT BAR	FABRICATED STEEL </td
7	1	HANDLE STOP	1/2" SCH 80 PIPE
8	2	ROLLER RETAINER	STAINLESS STEEL
9	1	3/4" PIVOT BOLT & HARDWARE	ZINC PLATED STEEL
10	4	1/2"X2-1/4" HEXHEAD BOLT & HARDWARE	ZINC PLATED STEEL
11	1	1/2"X2" HEXHEAD BOLT & HARDWARE	ZINC PLATED STEEL
12	2	3/8"X1-1/2" HEXHEAD HARDWARE	ZINC PLATED STEEL
13	2	3/8"X1" HEXHEAD BOLT & HARDWARE	STAINLESS STEEL
14	2	3/8"X1/2" HEXHEAD BOLT & HARDWARE	STAINLESS STEEL
15	1	1/2"X2-3/4" QUICK RELEASE PIN W/LANYARD	STAINLESS STEEL

## Components Diagram

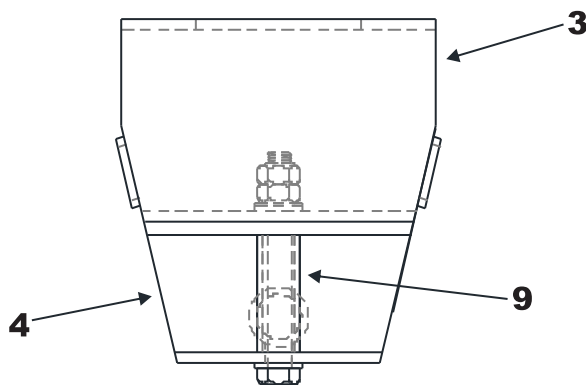


## 2. Assembly and Installation Instructions

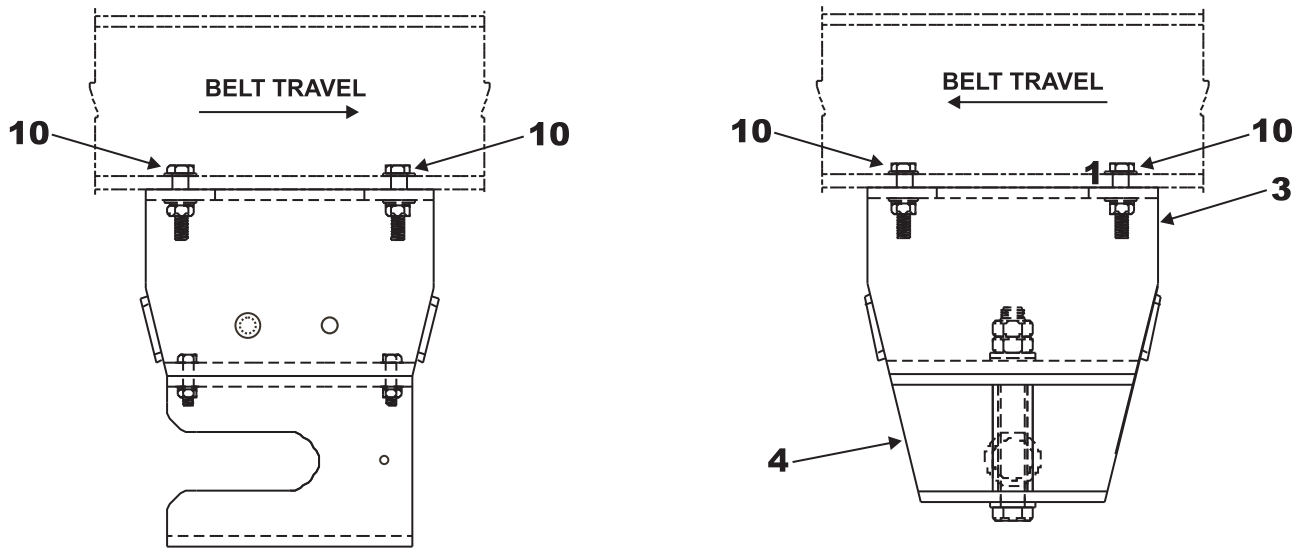
- A. Attach upper on-side to lower on-side brackets, using 3/8" x 1-1/2" hardware supplied. Be sure the lower bracket slot is pointing opposite of belt travel, and is located on the accessible side of the conveyor. Do NOT install lower on-side bracket so that the slot is pointing in the direction of belt travel as this could cause unexpected rotation of the lower off-side bracket pipe (especially on inclined conveyors.)



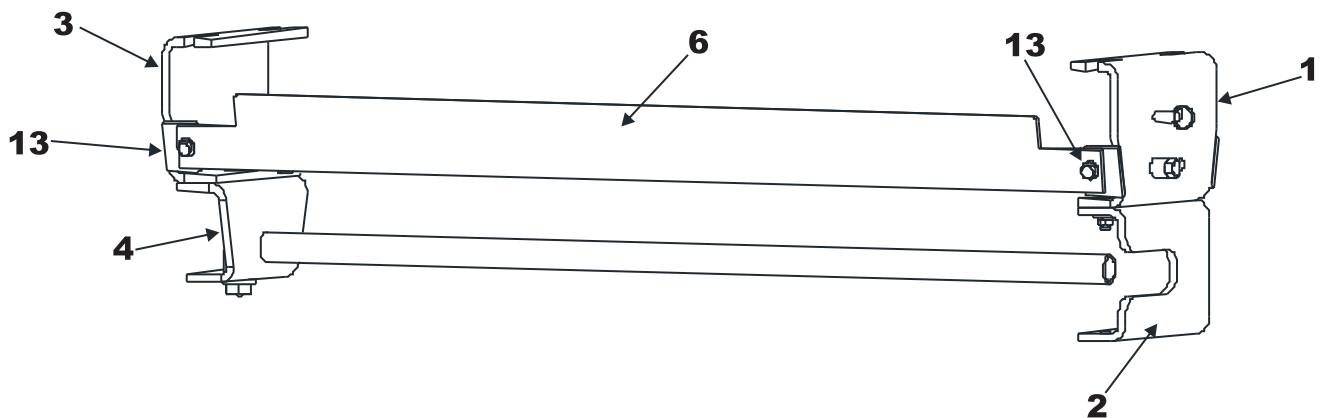
- B. Attach upper off-side bracket to lower off-side bracket, used 3/4" x 7" pivot bolt and hardware supplied.



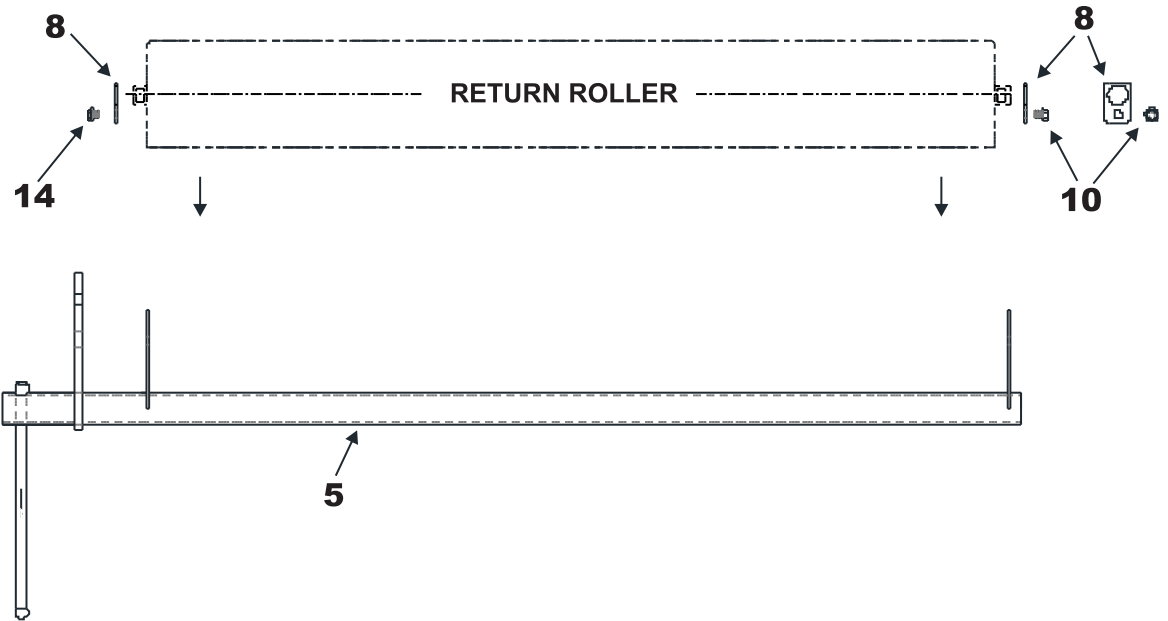
- C. Attach both on-side and off-side brackets to conveyor steel using  $\frac{1}{2}$ "x 2-1/4" hardware supplied.



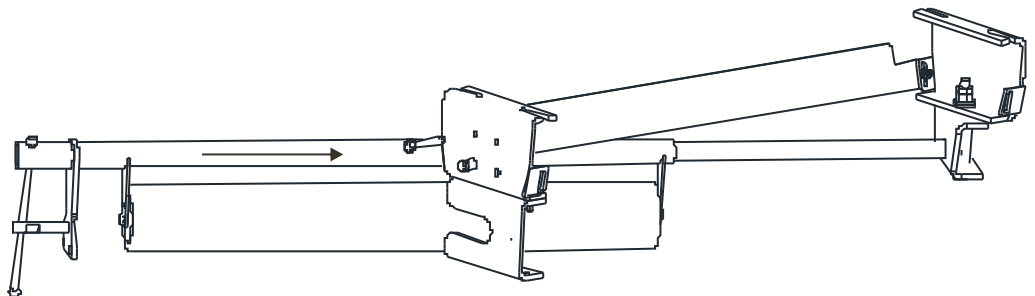
- D. Attach belt support bar to both upper brackets on the upstream side of the changer using  $\frac{3}{8}$ " x 1" hardware supplied. Belt support bar should be located  $\frac{1}{2}$ " from the bottom of the belt.



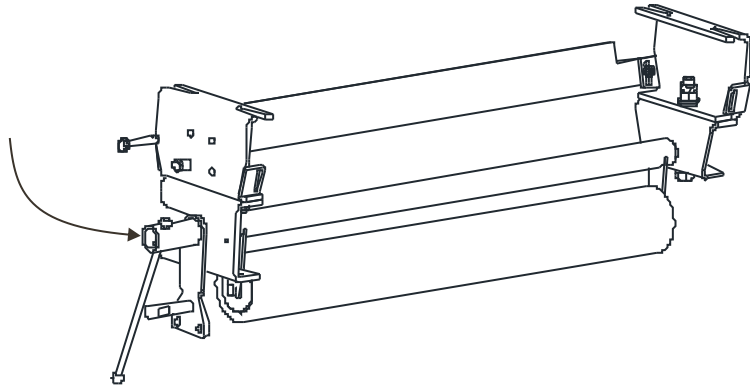
- E. Install Return Roller onto roller support using roller retainer and 3/8" x 1/2" long hardware supplied.



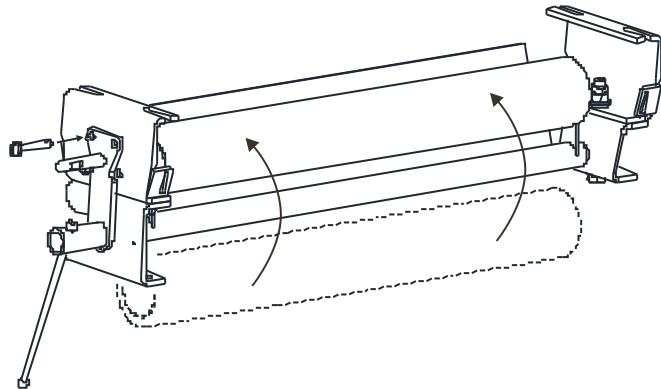
- F. Slide roller support onto lower off-side bracket pipe.



- 
- G.** Swing roller support into lower on-side bracket slot.



- H.** Rotate roller support upwards so roller comes in contact with belt and handle rests against handle stop. Insert quick release pin through handle and into upper on-side bracket.



---

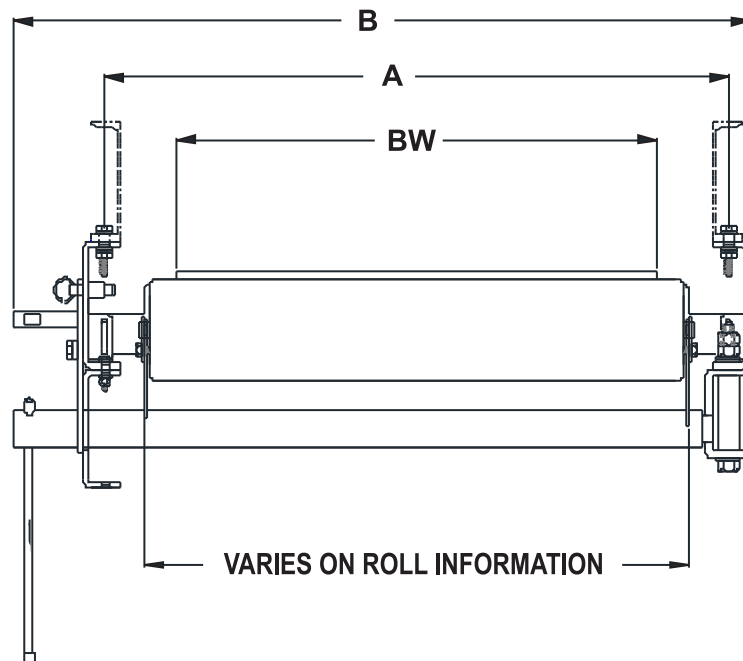
## **OPERATION & MAINTENANCE**

The UHMW Grid portion of the SAFE-GUARD is made from 1/8" Thick UV Stabilized UHMW and is resistant to most types of corrosion. The steel components are all Powder Coated A-36 Steel and should last indefinitely. All hardware and fasteners are zinc plated.

- The grids are designed to prevent any appendages from being caught in the idler/belt contact point or any other catch points and still allow most material and debris to pass through. The guards should be inspected regularly for material build-up that would hinder idler performance.
- The guards should be checked on a regular schedule for damage due to abrasion or impact.

## Information

RRC PART NUMBERS	BELT WIDTH INCHES	A INCHES	B INCHES
ASG-RRC-18	18	27	34
ASG-RRC-24	24	33	40
ASG-RRC-30	30	39	46
ASG-RRC-36	36	45	52
ASG-RRC-42	42	51	58
ASG-RRC-48	48	57	64
ASG-RRC-54	54	63	70
ASG-RRC-60	60	69	76
ASG-RRC-72	72	81	88



*Call your ASGCO Distributor for any questions or replacement parts*

### Warranty

ASGCO Manufacturing, Inc., warrants its products to be free from defects in material and workmanship under normal use and service, its obligation under this warranty being limited to replacement of any defective product if returned by the purchaser, or refunding of the purchase price, at ASGCO's discretion. ASGCO shall not be liable for incidental or consequential damages and including, but not limited to, claims for down time, lost profits, and/or business overhead expenses. THIS WARRANTY IS IN LIEU OF ALL OTHER WARRANTIES, EXPRESS OR IMPLIED, AND EXPRESSLY EXCLUDES ANY WARRANTY OF MERCHANTABILITY OR FITNESS FOR ANY PARTICULAR PURPOSE.

ASGCO is a registered trademark of ASGCO Manufacturing, Inc.  
SAFE-GUARD is a trademark of ASGCO Manufacturing, Inc.

All information in this publication is based on the latest product information available at the time of printing. ASGCO Manufacturing, Inc. reserves the right to make changes on or add improvements upon its products at any time without notice or obligation.