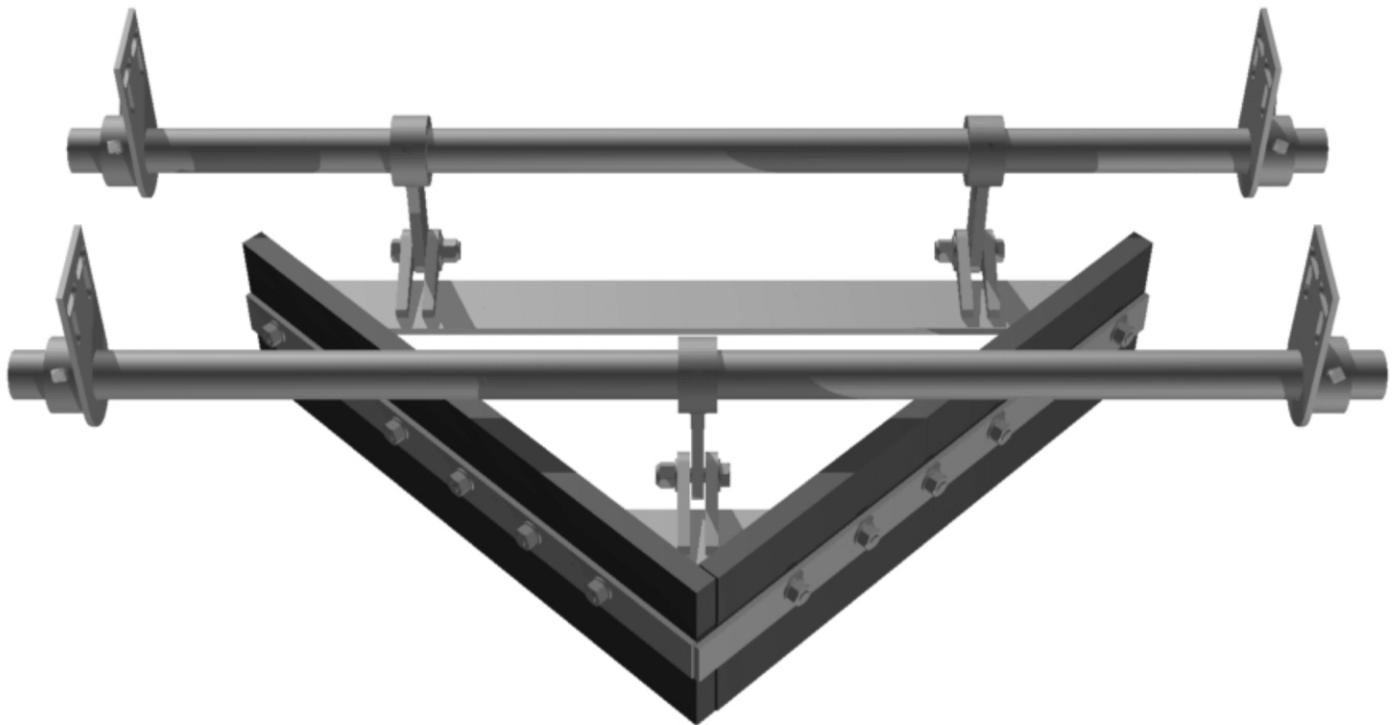




MINE DUTY V-PLOW XD

INSTALLATION, OPERATION & MAINTENANCE INSTRUCTIONS



Check us out at
www.asgco.com

Customer Service
800-344-4000



24 Hour Emergency
Service and Parts
610-821-0210



ASGCO Mfg., Inc.
301 Gordon Street
Allentown, PA 18102
610-821-0216
FAX 610-778-8991

Important Safety Notice

Always observe the basic rules of safety when working with any conveyor system. To avoid injury and equipment damage, be sure that all controls to the conveyor are locked out and the power source is disconnected at all times during installation. Keep a fire extinguisher and a first-aid kit on hand at all times.

VERY IMPORTANT: *To avoid serious injury, be sure that all controls to the conveyor system are locked out and the power source is disconnected at all times while working on the belt cleaner or tensioning system on the cleaner.*

Never attempt any installation or service procedure with the power turned on.

Installation Tools

In addition to items supplied by ASGCO®, you will need the following to install a V-Plow XD Belt Cleaner:

Welding Equipment
Burning Equipment
Soap Stone

Adjustable Wrench
Tape or Folding Rule
Square

Components Diagram

THE PARTS SHOWN BELOW SHOULD BE PROVIDED

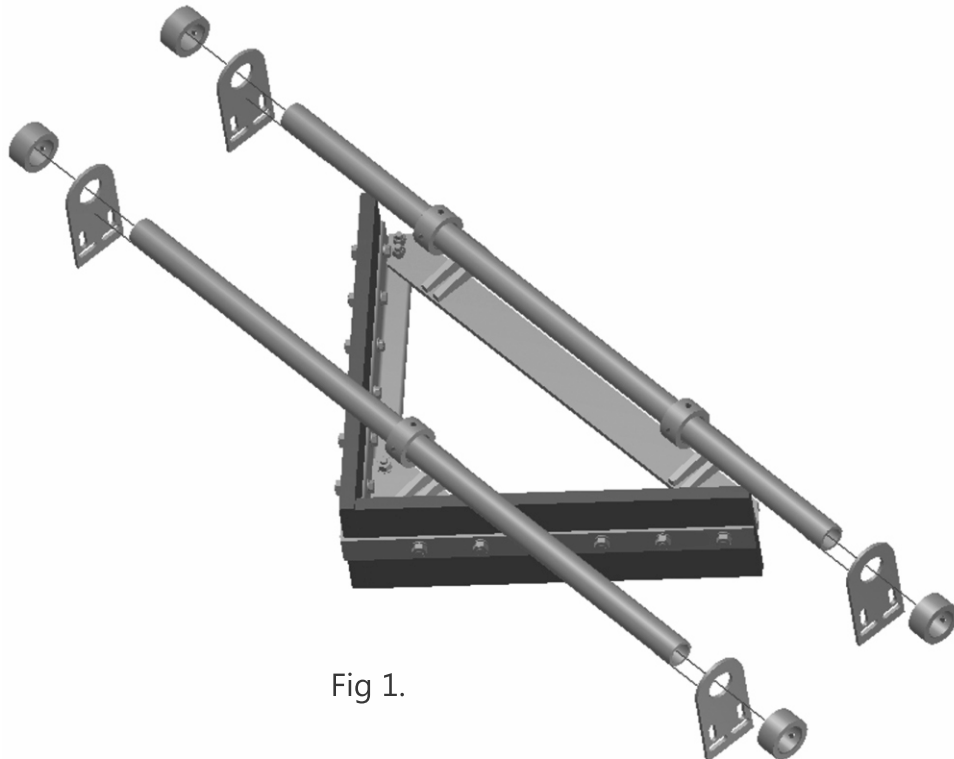


Fig 1.

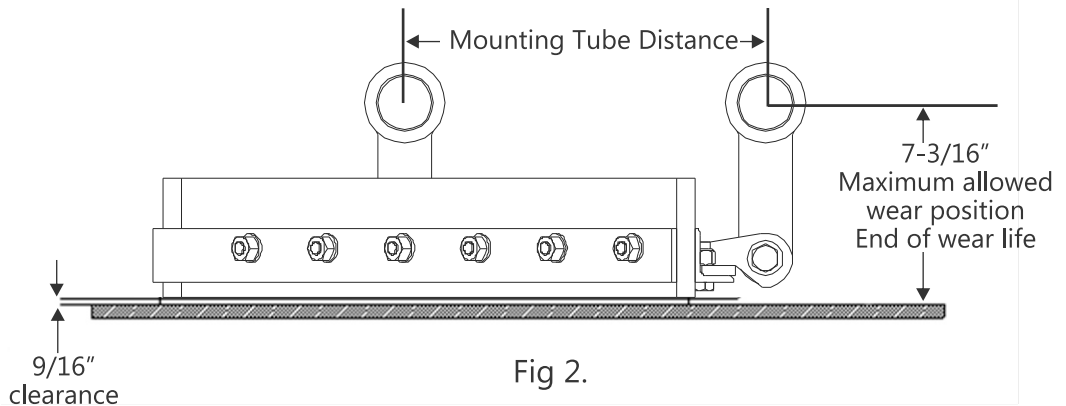
V-PLOW XD INSTALLATION

Before starting any work, please study all of the instructions. ASGCO® suggests that you first examine the drawings. Then read the instructions.

When you install the V-Plow XD, follow each instruction carefully and complete the steps in the numbered order. That way, the job will go easily and smoothly, and mistakes and rework can be avoided.

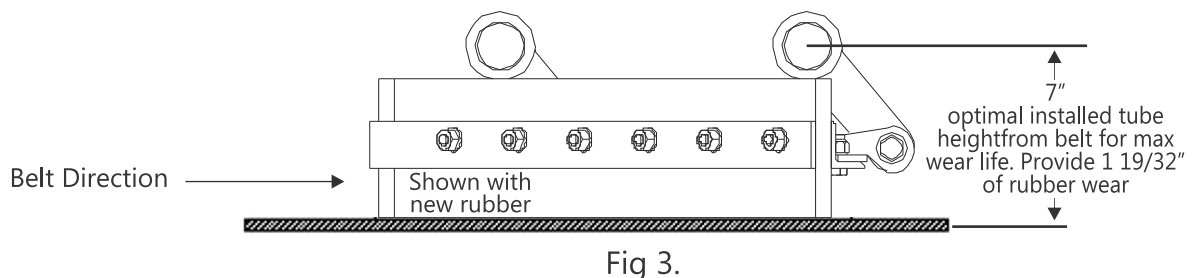
Instructions

- Step 1** Select a suitable location just before a tail pulley or a take-up pulley. The purpose of the plow is to deflect material from the belt that would normally be caught between the belt and a pulley, causing damage to the belt. Normally the plow is located on the clean side of the belt between the toughed run and the return run of the belt.
- Step 2** Mount the return side V-PlowXD so that the center of the support tubes are $7 \frac{3}{16}$ " above the belt as shown in Fig. 2. This will insure that the steel frame and hardware will not contact the belt when the rubber plow surface wears.



Mounting Tube Distance Chart

BELT WIDTH	APPROX. MOUNTING TUBE DIST.	BELT WIDTH	APPROX. MOUNTING TUBE DIST.
18	4-11/16"	54	22-1/4"
24	7-3/8"	60	25-1/16"
30	10-5/16"	72	31-5/32"
36	13-5/16"	84	37-1/32"
42	16-3/16"	96	45-3/32"
48	19-1/4"		



Step 1

Assemble the plow into position in the conveyor frame as shown in Fig. 1. The plow is tensioned into the belt by gravity, when the three connecting rods are hanging straight down it will be time to flip the plow. The collars on the mounting tubes may be located inside or outside of the mounting plate. Their only purpose is to prohibit the shaft from lateral movement.

Flipping the Plow

* On 18", 24" and 30" BW models.

- 1) Loosen the rear set screws that hold the mounting tube in place and remove the tube.
- 2) Loosen the front power arm bolt and nut and completely flip the plow.
- 3) Installation is the reverse procedures.

*On all other models - loosen all the set screws that hold the mounting tubes in place. remove tubes, flip the plow and the power arms and re-install.

MAINTENANCE

After one day
of operation:

- 1.) Inspect the plow for proper belt cleaning and operation.

Weekly:

- 1.) Frequent inspection is the key to proper belt cleaning and easy Plow servicing. Weekly inspections are recommended, but actual service frequency may vary widely depending on various plant operating conditions.
- 2.) Wash the entire Plow regularly to prevent excessive buildup. If material tends to accumulate on the Plow Assembly then possible plow relocation may be in order.
- 3.) Inspect the plow rubber. Make sure the rubber is not worn out.
- 4.) Inspect the belt surfaces and edges for cracks, splits, tears, holes or any other worn or damaged condition occurring on the surfaces or edges of the belt itself. If necessary make repairs to the belt.

REPLACEMENT OF PLOW RUBBER

1. Remove plow from the conveyor frame.
- 2.) Remove the bolts holding the worn out rubber in place and remove the worn out rubber.
- 3.) Attach the replacement rubber to the plow frame.
- 4.) Reinstall the plow into the conveyor frame.

TROUBLE SHOOTING

PROBLEM	SOLUTION
<i>Excess vibration of the plow.</i>	<p>Make certain all bolts are tight.</p> <p>Make sure the belt is not vibrating, return roller may have to be placed under the belt to stop the vibration.</p>
<i>Unable to tension scraper properly, belt moves away from plow.</i>	Install a hold down roller to reduce sag of the belt.
<i>Frozen material on scraper.</i>	Place heaters near plow to melt frozen material. <i>(Use caution not to burn belt or cleaner)</i>

V-Plow XD™ (Rubber)		
Part Number	Belt Width	Wt. Lbs.
M-ASG-VP-18-1	18	36
M-ASG-VP-24-1	24	39
M-ASG-VP-30-1	30	50
M-ASG-VP-36-1	36	60
M-ASG-VP-42-1	42	70
M-ASG-VP-48-1	48	80
M-ASG-VP-54-1	54	90
M-ASG-VP-60-1	60	100
M-ASG-VP-66-1	66	115
M-ASG-VP-72-1	72	140
M-ASG-VP-84-1	84	170

V-Plow XD™ (Urethane)		
Part Number	Belt Width	Wt. Lbs.
M-ASG-VP-18-1-URE	18	36
M-ASG-VP-24-1-URE	24	39
M-ASG-VP-30-1-URE	30	50
M-ASG-VP-36-1-URE	36	60
M-ASG-VP-42-1-URE	42	70
M-ASG-VP-48-1-URE	48	80
M-ASG-VP-54-1-URE	54	90
M-ASG-VP-60-1-URE	60	100
M-ASG-VP-66-1-URE	66	115
M-ASG-VP-72-1-URE	72	140
M-ASG-VP-84-1-URE	84	170