



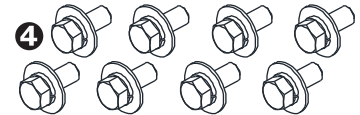
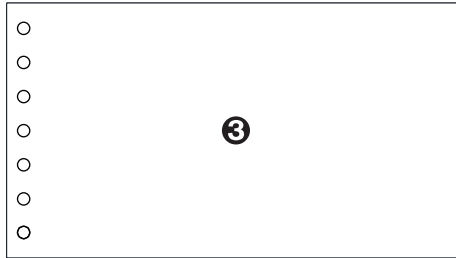
# Optional Mounting Kits Installation Accessories

## Optional Mounting Kits for Belt Cleaners

Versatile, adjustable, powder coated steel brackets and plates that can be mounted on the conveyor structure so pre-cleaners and secondary belt cleaners can be easily and quickly bolted into place. Also available in stainless steel upon request.

### ❶ #M-ASG-UG-PRI-MK - Primary UG Mounting Bracket Kit\*

- #ASG-UG-PRI-BB  
**Boss Block**
- Boss Blocks are 1"W x 8"L with (4) 5/8-11 tapped holes.
- For mounting pre-cleaners on open head pulleys.
- Weld on both sides of pulley and bolt on steel plates.
- For use with Skalper, Super Skalper, Skalper III & Skalper MDX



#### #M-ASG-UG-PRI-HW Hardware Bag

- Includes:
- 8 each 5/8" Lockwashers
  - 8 each 5/8" Flat Washers
  - 8 each 5/8" 11x1.25 Bolts G8

❷

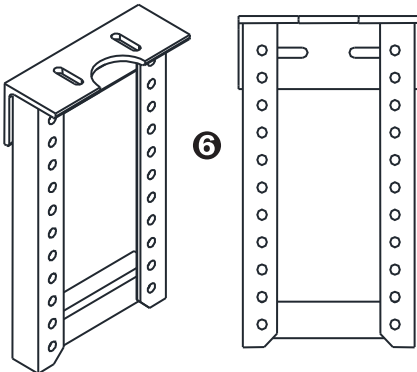
#### \*Primary UG Mounting Bracket Kits include:

- 2 each Mounting Plates
- 2 each Boss Blocks
- 1 each Hardware Bag

#### #ASG-UG-PRI-MK Mounting Plate Kit

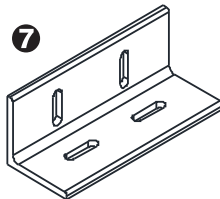
- Mounting plates are 15 "H x 30"L with (4) 5/8-11 holes
- For use with Boss Blocks to mount pre-cleaners on open head pulleys.
- For use with Skalper, Super Skalper, Skalper III & Skalper MDX

### ❺ #M-ASG-UG-SEC-MK - Secondary UG Mounting Bracket Kit\*



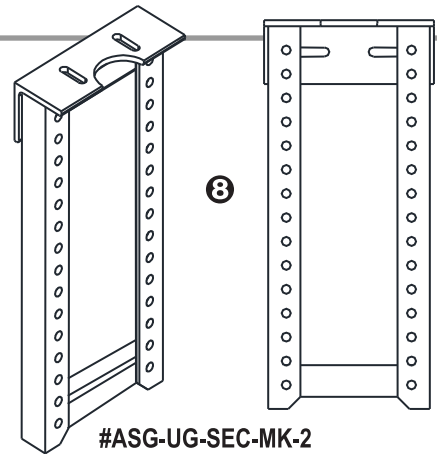
#### #ASG-UG-SEC-MK Standard Mounting Bracket

- Standard Brackets are 7-3/4W x 18-1/8 "L
- For most secondary cleaner installs.



#### #ASG-UG-ADJ-ANGLE Adjustable Mounting Angle

- 2 Required
- Used with both Std & Long Mounting Brackets



#### #ASG-UG-SEC-MK-2 Long Mounting Bracket

- Long Brackets are 7-3/4 "W x 24-3/8"L
- For installations that require extra length legs
- For most secondary cleaner installs.

#### \*Secondary UG Standard & Long Mounting Bracket Kits include:

- 2 each Adjusting Mounting Angles
- 2 each Mounting Brackets
- 1 each Hardware Bag

Description	Part Number	Wt. Lbs
❶ Primary Mounting Bracket Kit	M-ASG-UG-PRI-MK	100 Lbs.
❷ UG Boss Blocks (2 ea. per sys.)	ASG-UG-PRI-BB	2 Lbs.
❸ UG Mounting Plate (2 ea. per sys.)	ASG-UG-PRI-MK	48 Lbs.
❹ Hardware Bag	M-ASG-UG-PRI-HW	1 Lb.
❺ Secondary Mounting Bracket Kit	M-ASG-UG-SEC-MK	21/28 Lbs.
❻ Standard Mounting Bracket (includes angle)	ASG-UG-SEC-MK	20 Lbs.
❼ Adjusting Mounting Angle (2 ea. per sys.)	ASG-UG-ADJ-ANGLE	8 Lbs.
❸ Long Mounting Bracket (includes angle)	ASG-UG-SEC-MK2	27 Lbs.