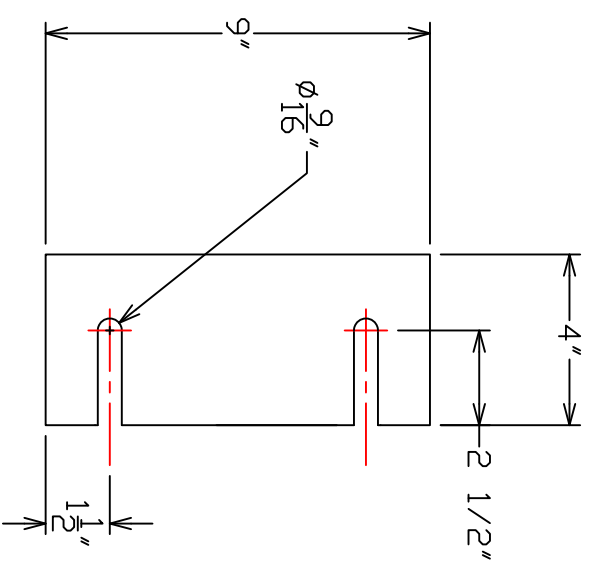


FILL IN SPECS

DRP DR RISE	
CEMA E	CEMA E
HEIGHT	
DEGREE (0-3-5)	
CAN DIAMETER	
CAN FACE LENGTH	
QUANTITY	

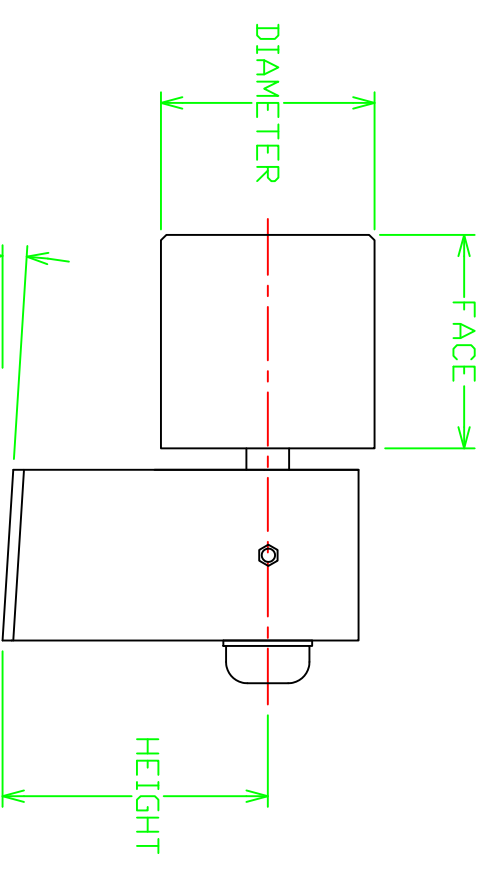
CEMA E SHAFT IS: 1 7/16" DIA.  
TURNED DOWN TO 1 1/4" DIA.



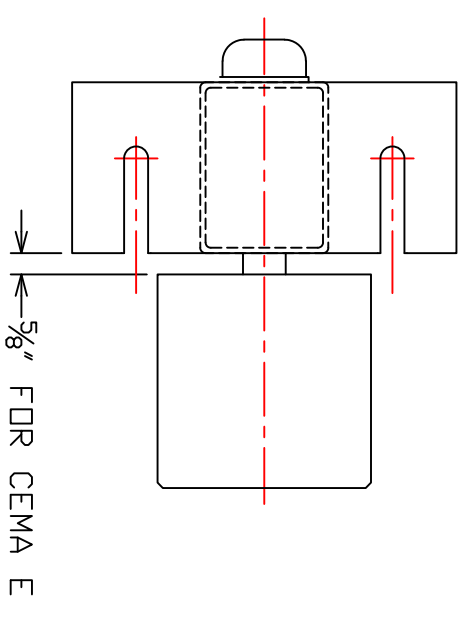
TYP. MOUNTING FOOT

ASG-SI-HEIGHT-DEG-DIA X FACE-S

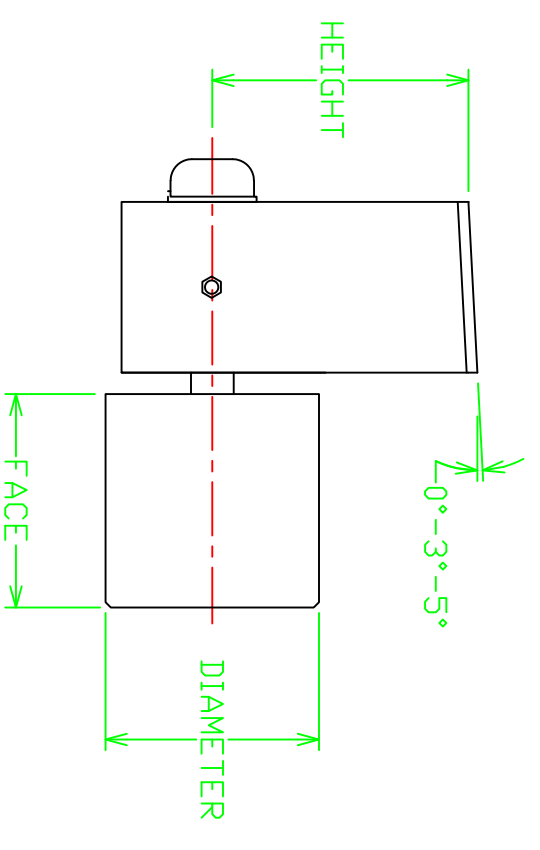
ASG-SI-----X-----S



THIS IS RISE BRKT  
DROPPING THE CAN.



THIS IS DRP BRKT  
DROPPING THE CAN.



REV. NO.	DATE	REV. INDICATION	CHKD BY.	DONE BY.
X	XXXX	XXXXX	XXX	XXX

INFORMATION CONTAINED IN THIS DRAWING IS FOR REFERENCE ONLY. DIMENSIONS AND MATERIALS OF CONSTRUCTION ARE SUBJECT TO CHANGE WITHOUT NOTICE. FOR CURRENT INFORMATION CONTACT ASGCO MFG., INC. ENGINEERING DEPARTMENT AT (610) 821-0216 www.ASGCO.com

**ASGCO**  
301 GORDON STREET  
ALLENTOWN, PA 18102  
800-344-4000

DATE: 4/16/2014 SCALE: DNS  
CHECKED: XXXXX DRAWN BY: J. FRIES

CUSTOMER DESIGN STUB: IDLER CEMA E  
PROJECT: CUSTOMER & PO NUMBER  
DWG. NO.: 1 OF 1

85% OF RECESS SHOULD BE SUPPORTED