

REVERSIBLE DIAGONAL PLOW

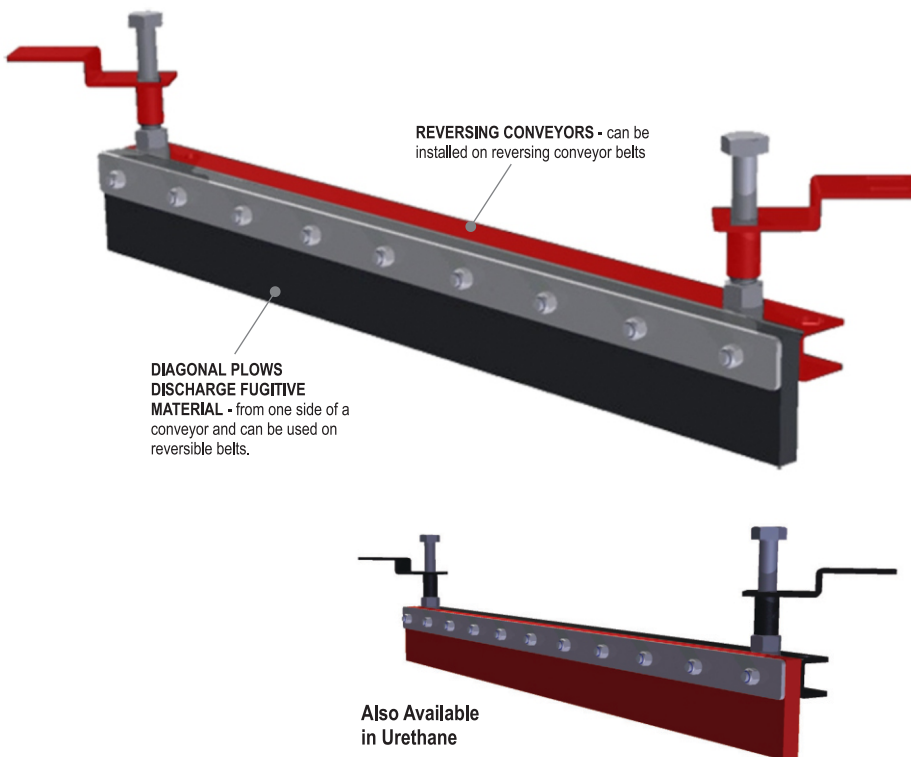
Secondary Belt Cleaner

ASGCO®

Complete Conveyor Solutions

Reversible Diagonal Plows are designed to discharge fugitive material from one side of the conveyor. Our diagonal plow is built of a rugged steel structure to hold up in the toughest environments.

Reduces build-up on tail and take-up pulleys.



- **Provides Effective** - cleaning of the return side of the belt, protecting your tail pulley and the conveyor belt
- **Reversing Conveyors** - can be installed on reversing conveyor belts.
- **Easy Maintenance** - simple and easy to install and maintain
- **Diagonal plow discharges** - material from one side of the belt
- **Available** - with rubber or urethane plow material



PRODUCT SPECIFICATIONS

Maximum Belt Speed - 1000 fpm (5.0 m/sec)

Application - Coal Fired Power Plants, Hard Rock Mining, Underground Mining, Coal Preparation Plants, Steel Mills, Iron Ore, Aggregate, Metals (copper/gold) Mining, Mineral (Phosphate, Potash, Salt) Mining, Bulk Shipping Terminals

Need Solutions....to improve efficiency, safety and productivity? ask... ASGCO®

www.asgco.com | 800.344.4000

ASGCO®
Complete Conveyor Solutions

REVERSIBLE DIAGONAL PLOW

Reversible Diagonal Plow (Rubber)			
Part Number	Belt Width		Wt. Lbs.
	in	mm	
M-ASG-DP-18-1	18	450	36
M-ASG-DP-24-1	24	600	39
M-ASG-DP-30-1	30	750	50
M-ASG-DP-36-1	36	900	60
M-ASG-DP-42-1	42	1070	70
M-ASG-DP-48-1	48	1200	80
M-ASG-DP-54-1	54	1350	90
M-ASG-DP-60-1	60	1500	100
M-ASG-DP-66-1	66	1600	115
M-ASG-DP-72-1	72	1800	130
M-ASG-DP-84-1	84	2100	140
Replacement Parts (1" x 5" Rubber)			
Part Number	Belt Width		Wt. Lbs.
	in	mm	
M-ASG-5560-1X5-18-DP	18	450	6.99
M-ASG-5560-1X5-24-DP	24	600	9.16
M-ASG-5560-1X5-30-DP	30	750	11.57
M-ASG-5560-1X5-36-DP	36	900	13.74
M-ASG-5560-1X5-42-DP	42	1050	16.15
M-ASG-5560-1X5-48-DP	48	1200	18.32
M-ASG-5560-1X5-54-DP	54	1350	20.44
M-ASG-5560-1X5-60-DP	60	1500	22.88
M-ASG-5560-1X5-66-DP	66	1600	25.02
M-ASG-5560-1X5-72-DP	72	1800	27.46
M-ASG-5560-1X5-84-DP	84	2100	32.03
M-ASG-5560-1X5-96-DP	96	2400	36.59

Reversible Diagonal Plow (Urethane)			
Part Number	Belt Width		Wt. Lbs.
	in	mm	
M-ASG-DP-18-URE-1	18	450	36
M-ASG-DP-24-URE-1	24	600	39
M-ASG-DP-30-URE-1	30	750	50
M-ASG-DP-36-URE-1	36	900	60
M-ASG-DP-42-URE-1	42	1070	70
M-ASG-DP-48-URE-1	48	1200	80
M-ASG-DP-54-URE-1	54	1350	90
M-ASG-DP-60-URE-1	60	1500	100
M-ASG-DP-66-URE-1	66	1600	115
M-ASG-DP-72-URE-1	72	1800	130
M-ASG-DP-84-URE-1	84	2100	140
Replacement Parts (1" x 5" Urethane)			
Part Number	Belt Width		Wt. Lbs.
	in	mm	
M-ASG-DP-18-1X5-URE	18	450	0
M-ASG-DP-24-1X5-URE	24	600	0
M-ASG-DP-30-1X5-URE	30	750	0
M-ASG-DP-36-1X5-URE	36	900	0
M-ASG-DP-42-1X5-URE	42	1050	0
M-ASG-DP-48-1X5-URE	48	1200	0
M-ASG-DP-54-1X5-URE	54	1350	0
M-ASG-DP-60-1X5-URE	60	1500	0
M-ASG-DP-72-1X5-URE	72	1800	0
M-ASG-DP-84-1X5-URE	84	2100	0
M-ASG-DP-96-1X5-URE	96	2400	0

Need Solutions....to improve efficiency, safety and productivity? ask... ASGCO®

www.asgco.com | 800.344.4000

© 6/2015 ASGCO® "Complete Conveyor Solutions"

