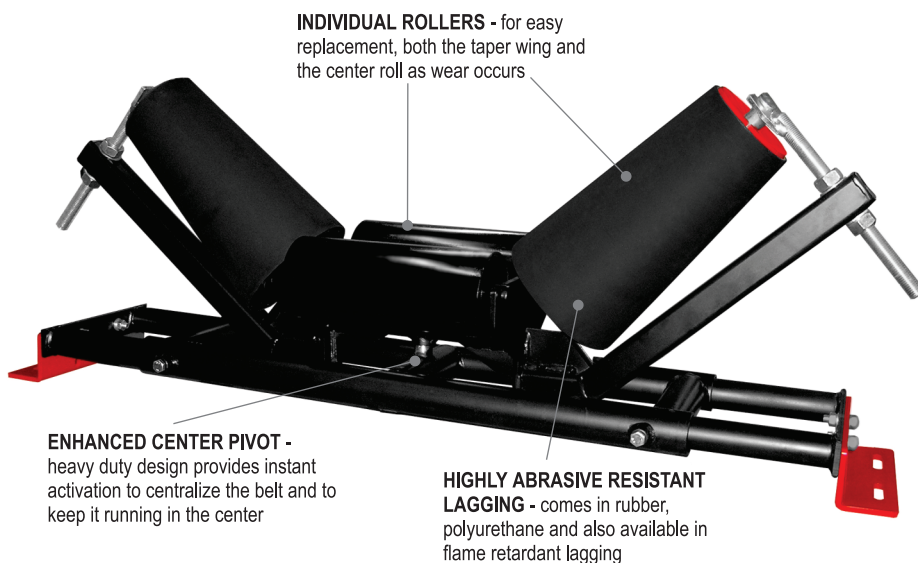


TRU-TRAINER® TAPERED TROUGH IDLER

ASGCO®
Complete Conveyor Solutions

The patented ASGCO® **Tru-Trainer® Tapered Trough Idler** offers the ultimate in tracking performance on the load-carrying side of the conveyor and is the result of over 10 years of design and innovation. This design is highly responsive and quick to activate on both loaded and unloaded conveyors.



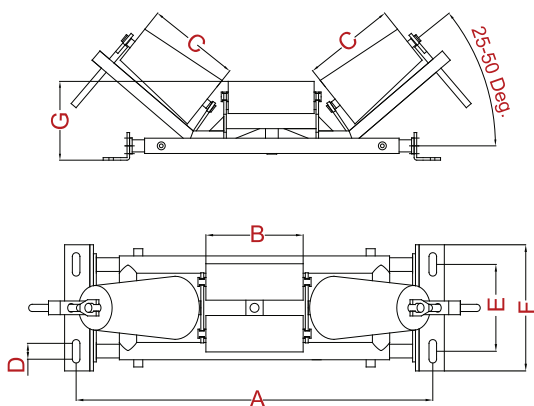
- **Exceptional Performance** - The combination of the tapers and unique center pivot, provide fast, reactive and continual tracking in all conditions
- **Individual rollers for easy replacement** - both the taper wing and center roller can be individually replaced as wear occurs
- **Enhanced Center Pivot** - The unique heavy duty pivot design provides instant activation to centralize the belt to keep it running center.
- **Maintenance Free** - Bearings do not require any greasing
- **Lagging** - Available in High Abrasive, Rubber Lagging ½ in. thick or Polyurethane Lagging ½ in. thick (Red). Also available in Fire Retardant lagging.
- **Operates in all conditions** - Quick activation on both wet and dry conveyor belts, Versatile Installation - Minimum tension is required on the center rolls, which can be easily adjusted with the supplied mounting brackets.
- **Reversing Belts** - Excellent performance Available from 18 in. - 84 in. (custom sizes available)



TRU-TRAINER® TAPERED TROUGHER IDLER

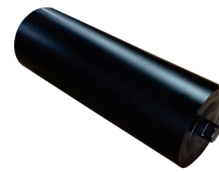
Tru-Trainer® Tapered Trougher Idler

As the taper wing rollers are inline, it operates on both on Uni-directional or Bi-directional conveyor belts. The tracking is done by the tapered wing rollers which are lagged and can be easily adjusted between 25° - 55°. The tapered wing rollers ensure that the idler activates immediately as the belt moves off center.



Tru-Trainer® Tapered Trougher Idler Installation Chart								
Part Number	Belt Width	A	B	C	D	E	F	G
ASG-TTTT-45-TD	18"	27	6.69x50	7.87	.860x1.73	8.66-11.02	13.78	8.85-10.63
ASG-TTTT-60-TD	24"	33	8.66x50	11.41	.860x1.73	8.66-11.02	13.78	8.85-10.63
ASG-TTTT-75-TD	30"	39	10.62x50	11.41	.860x1.73	8.66-11.02	13.78	8.85-10.63
ASG-TTTT-90-TD	36"	45	12.59x50	14.96	.860x1.73	8.66-11.02	13.78	8.85-10.63
ASG-TTTT-105-TD	42"	51	14.56x50	14.96	.860x1.73	8.66-11.02	13.78	8.85-10.63
ASG-TTTT-120-TD	48"	57	16.92x60	19.29	.860x1.73	8.66-11.02	13.78	8.85-10.63
ASG-TTTT-135-TD	54"	63	18.89x60	19.29	.860x1.73	8.66-11.02	13.78	10.03-13.97
ASG-TTTTHD-150-TD	60"	69	21.25x60	25.19	.860x1.73	8.66-11.02	13.78	10.03-13.97
ASG-TTTTXHD-180-TD	72"	81	25.19x60	25.19	.860x1.73	8.66-11.02	13.78	10.03-13.97
ASG-TTTTEXHD-210-TD	84"	93	29.52x60	29.52	.860x1.73	8.66-11.02	13.78	10.03-13.97

Tru-Trainer Tapered Troughing Replacement Wing Rolls



Rubber Wing Rolls		
Part Number	Belt Width	
	in	mm
ASG-WINGR-18-TD	18	450
ASG-WINGR-24/30-TD	24/30	600/760
ASG-WINGR-36/42-TD	36/42	900/1000
ASG-WINGR-48-TD	48	1200
ASG-WINGR-54-HD-TD	54	1370
ASG-WINGR-60-HD-TD	60	1500
ASG-WINGR-72-XHD-TD	72	1800
ASG-WINGR-84-EXHD-TD	84	2100

Urethane Wing Rolls		
Part Number	Belt Width	
	in	mm
ASG-WINGR-18-UE-TD	18	450
ASG-WINGR-24-UE-TD	24	600
ASG-WINGR-36/42-UE-TD	36/42	900/1000
ASG-WINGR-48-UE-TD	48	1200
ASG-WINGR-54-HD-UE-TD	54	1370
ASG-WINGR-60-HD-UE-TD	60	1500
ASG-WINGR-72-XHD-UE-TD	72	1800
ASG-WINGR-84-EXHD-UE-TD	84	2100

Steel Center Rolls		
Part Number	Belt Width	
	in	mm
ASG-TTSCR-18-TD	18	450
ASG-TTSCR-24-TD	24	600
ASG-TTSCR-30-TD	30	760
ASG-TTSCR-36-TD	36	900
ASG-TTSCR-42-TD	42	1000
ASG-TTSCR-48-TD	48	1200
ASG-TTSCR-54-TD	54	1370
ASG-TTSCR-60-TD	60	1500
ASG-TTSCR-72-TD	72	1800
ASG-TTSCREXHD-84-TD	84	2100

Need Solutions...to improve efficiency, safety and productivity? ask... ASGCO®

www.asgco.com | 800.344.4000

© 7/2016 ASGCO "Complete Conveyor Solutions"

