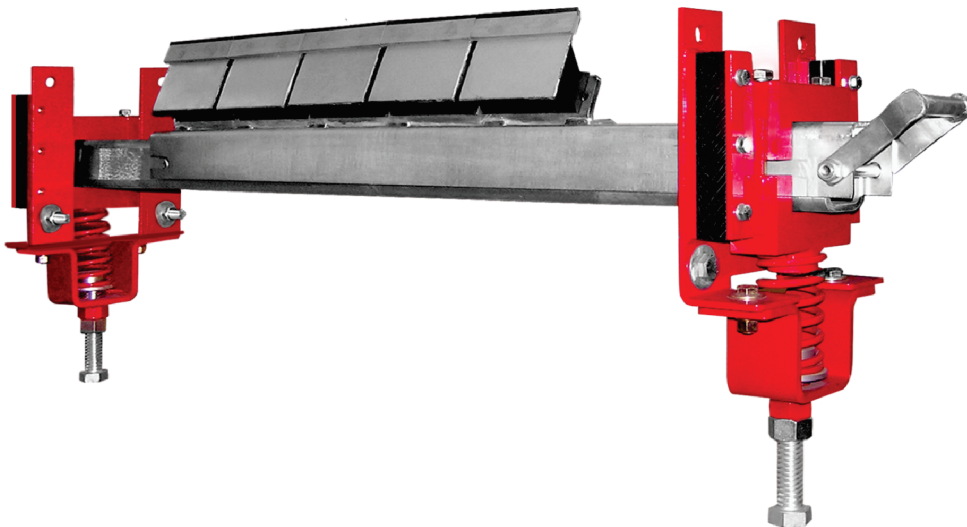


Retractable Razor-Back® System

Secondary Cleaning System with Split Block Spring-Shoc™

ASGCO®'s Retractable Razor-Back® System allows for safe access and service from outside the chute!

The patent pending **Retractable Razor-Back®** secondary belt cleaning system can be accessed and removed from outside the chute without breaking the plane of the conveyor, resulting in decreased downtime and eliminating the need for confined space permits.



- **Longwearing Abrasion Resistant** – tungsten carbide blades provides and maintains a great cleaning edge against the conveyor belt.
- **Quick-Change** – slide-out mounting system allows for simple removal of the cartridge from one side of the conveyor system, without having to break the plane of the conveyor structure, or having to remove mounting brackets or the main mounting tube.
- **Impact Absorbing Tension Cushions** – tension each individual blade to the belt for a controlled and effective conveyor belt cleaning across the entire width of the belt.
- **Compact Design** – allows for an installation that requires less than 9" of clearance to be installed and maintained.
- **Tensioner Adjustments** – can be made from side of operation
- **Total Satisfaction Guarantee (TSG)** – ASGCO®'s unmatched customer service policy ensures your satisfaction.

ASGCO®
Complete Conveyor Solutions



PRODUCT SPECIFICATIONS

Maximum Belt Speed - 1000 fpm (5.0 m/sec)

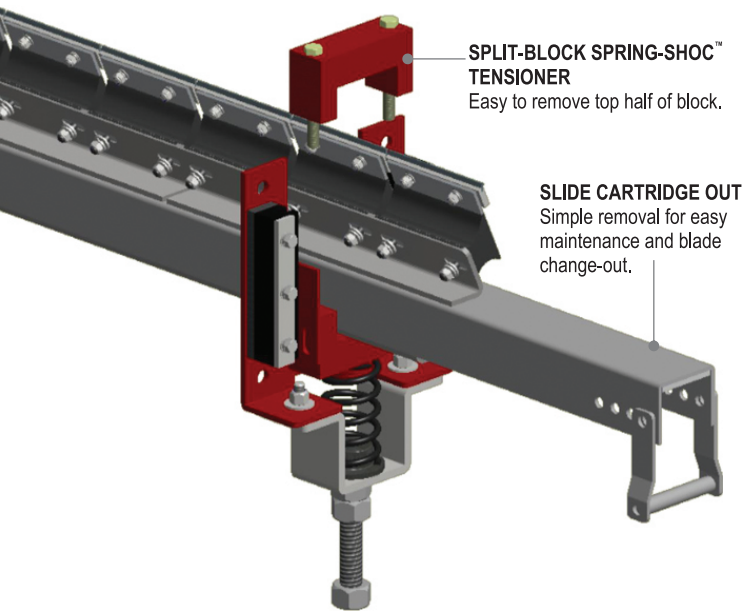
Applications - Coal Fired Power Plants,
Hard Rock Mining, Steel Mills, Iron Ore, Aggregate
and Mineral (Phosphate, Potash, Salt) Mining

Need Solutions....to improve efficiency, safety and productivity? ask... ASGCO®

www.asgco.com | 800.344.4000

ASGCO®
Complete Conveyor Solutions

Retractable Razor-Back® System





Retractable Razor-Back® System with Split Block Spring-Shoc™

Mechanical Splices? No Problem. The Retractable Razor-Back® System with Split Block Spring-Shoc™ can be installed on conveyor belts with mechanical splices, due to the passive wiping blade angle and impact-absorbing tensioning cushions, allowing the mechanical splices to pass without damaging the belt cleaner or the splice.

Benefits

- Eliminates material buildup
- Resilient blade support absorbs severest shock in toughest application of underground mining
- Blades move independently to maintain contact
- Durable, 3-1/2" thick square tubing for extreme environments
- Universal mounting for easy installation
- Heavy duty Tungsten Carbide or Hd400 blades available
- MDX carbide blade system is 3 times heavier than any other in the industry

Available Blade Types		
Razor-Back® Blade Materials		
Blade Type	V-Tip	MDX V-Tips
Belt Speed	< 1000 fpm < 5 m/sec	< 1200 fpm < 6 m/sec
Temperature Range.	-20-400°F -28 to 204°C	-20-400°F
Fasteners	Yes	No

Standard Cushion and V-Tip			
Part Number	Belt Width		Wt. Lbs.
	in	mm	
M-RBTC-OS-SYS-24-ST	24	600	76
M-RBTC-OS-SYS-30-ST	30	750	85
M-RBTC-OS-SYS-36-ST	36	900	94
M-RBTC-OS-SYS-42-ST	42	1070	103
M-RBTC-OS-SYS-48-ST	48	1200	112
M-RBTC-OS-SYS-54-ST	54	1350	121
M-RBTC-OS-SYS-60-ST	60	1500	130
M-RBTC-OS-SYS-66-ST	66	1600	139
M-RBTC-OS-SYS-72-ST	72	1800	148
M-RBTC-OS-SYS-84-ST	84	2100	157
M-RBTC-OS-SYS-96-ST	96	2400	175

MDX Cushion and MDX V-Tip			
Part Number	Belt Width		Wt. Lbs.
	in	mm	
M-RBTCMDX-OS-SYS-48-ST	48	1200	76
M-RBTCMDX-OS-SYS-54-ST	54	1350	85
M-RBTCMDX-OS-SYS-60-ST	60	1500	94
M-RBTCMDX-OS-SYS-66-ST	66	1600	103
M-RBTCMDX-OS-SYS-72-ST	72	1800	112
M-RBTCMDX-OS-SYS-84-ST	84	2100	121
M-RBTCMDX-OS-SYS-96-ST	96	2400	130

Need Solutions...to improve efficiency, safety and productivity? ask... ASGCO®

www.asgco.com | 800.344.4000

© 5/2016 ASGCO® "Complete Conveyor Solutions"

