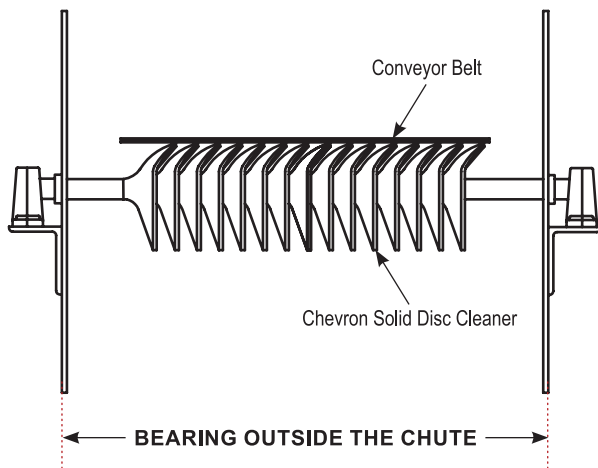
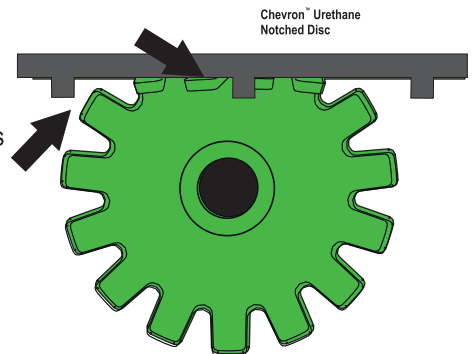
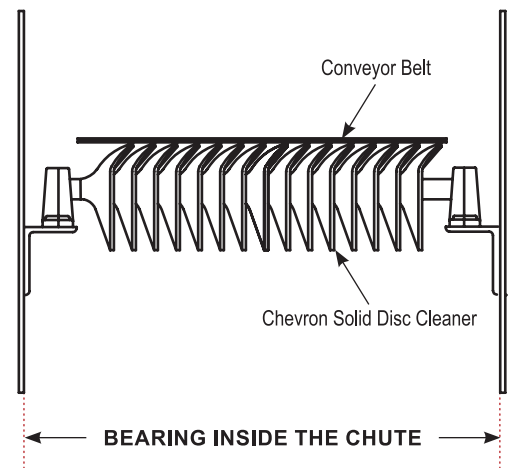


The **Chevron™** secondary belt cleaner uses the speed and force of the belt rolling over our patented rubber disks. The unique rotary fingers are forced against the base of the chevrons to dislodge material from the belt.

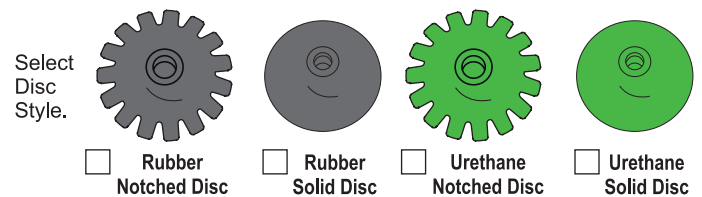
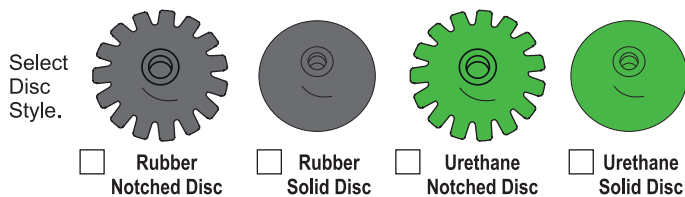
Select method of mounting and provide indicated dimension.



OUTSIDE DIMENSION



INSIDE DIMENSION



CHEVRON DISCS

- 8" abrasion resistant rubber disks provide a gentle, thorough squeegee action for very effective cleaning
- Disks are independently flexible so each disk rapidly adjusts to belt variation, wear and cupping
- Disks work well on vulcanized or mechanical splices
- Disk life is one to four years depending on material and operating conditions
- Handles corrosive and abrasive materials - wet or dry
- Notched disk for 1' foot pitched Chevron™ or less
- Solid disks for 2' foot pitched Chevrons™ or more