

8 7 6 5 4 3 2 1

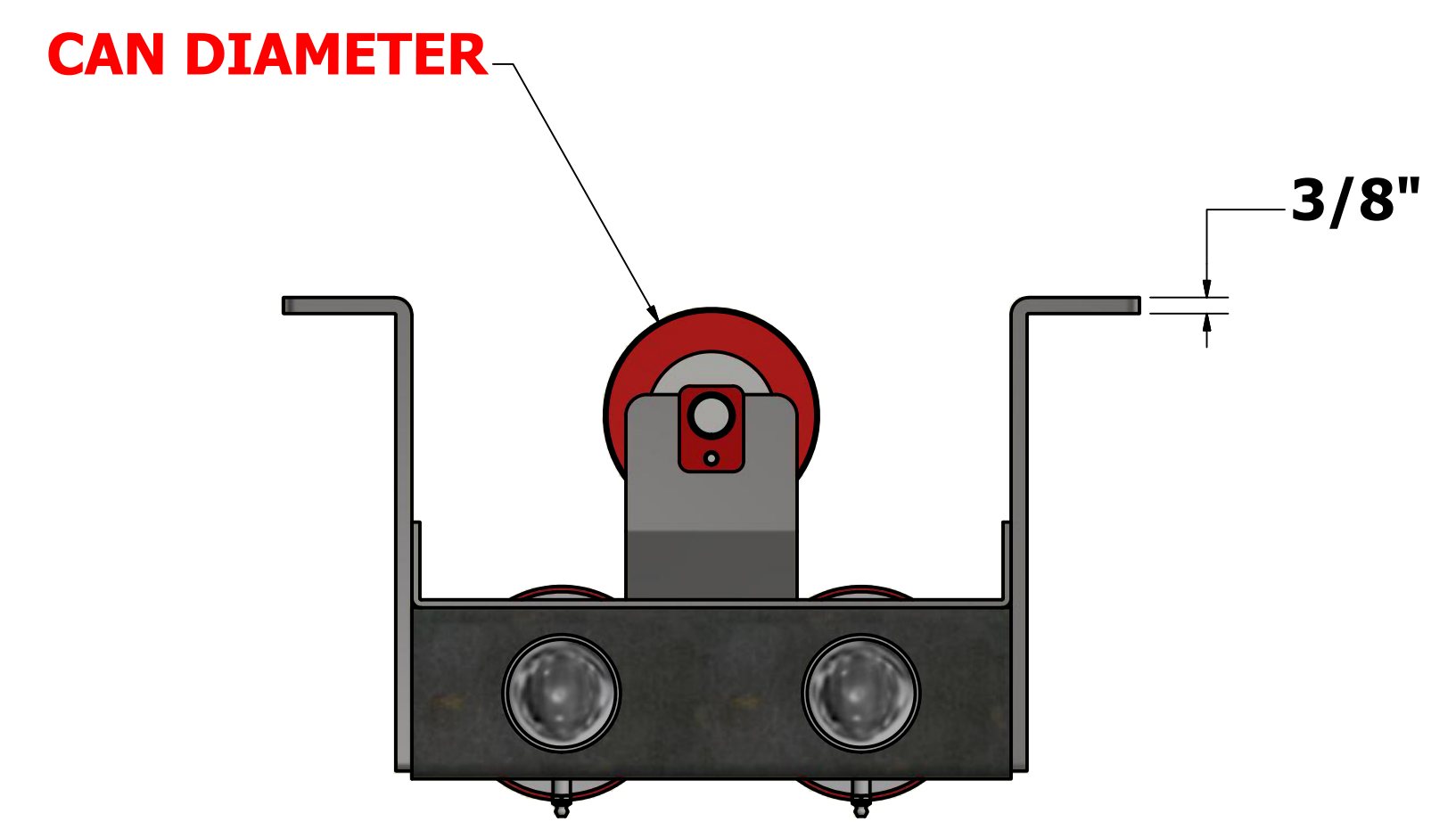
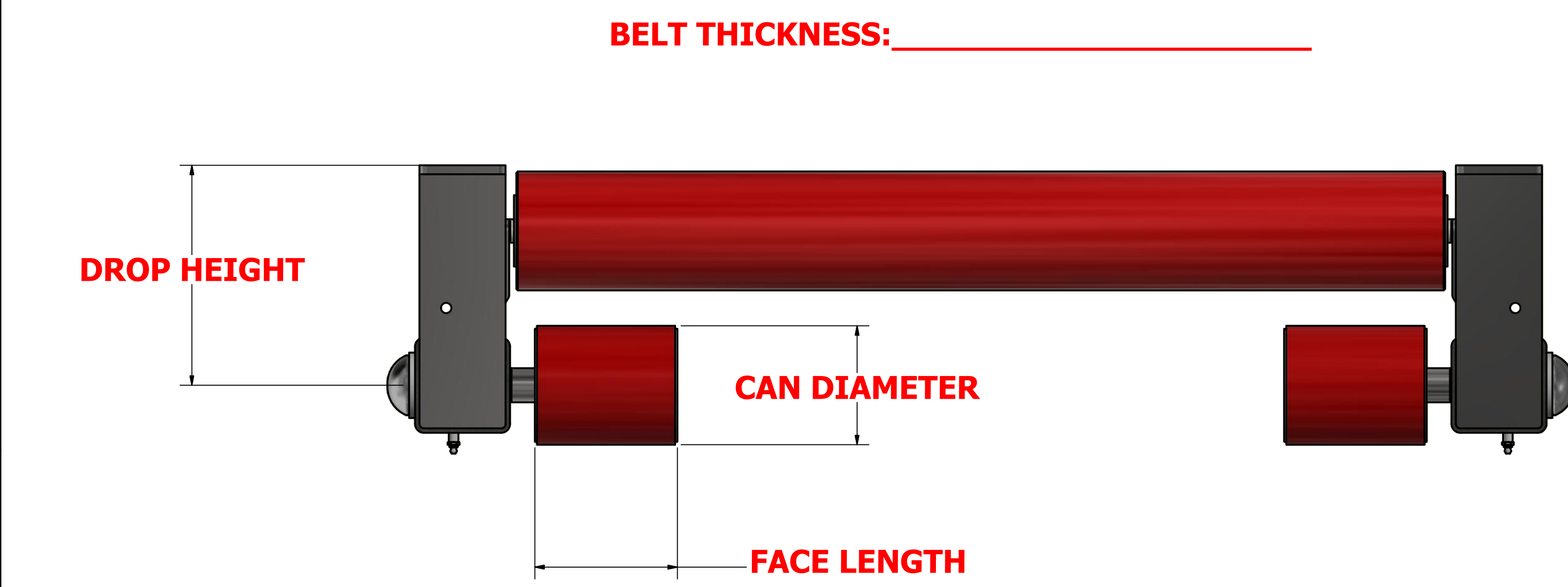
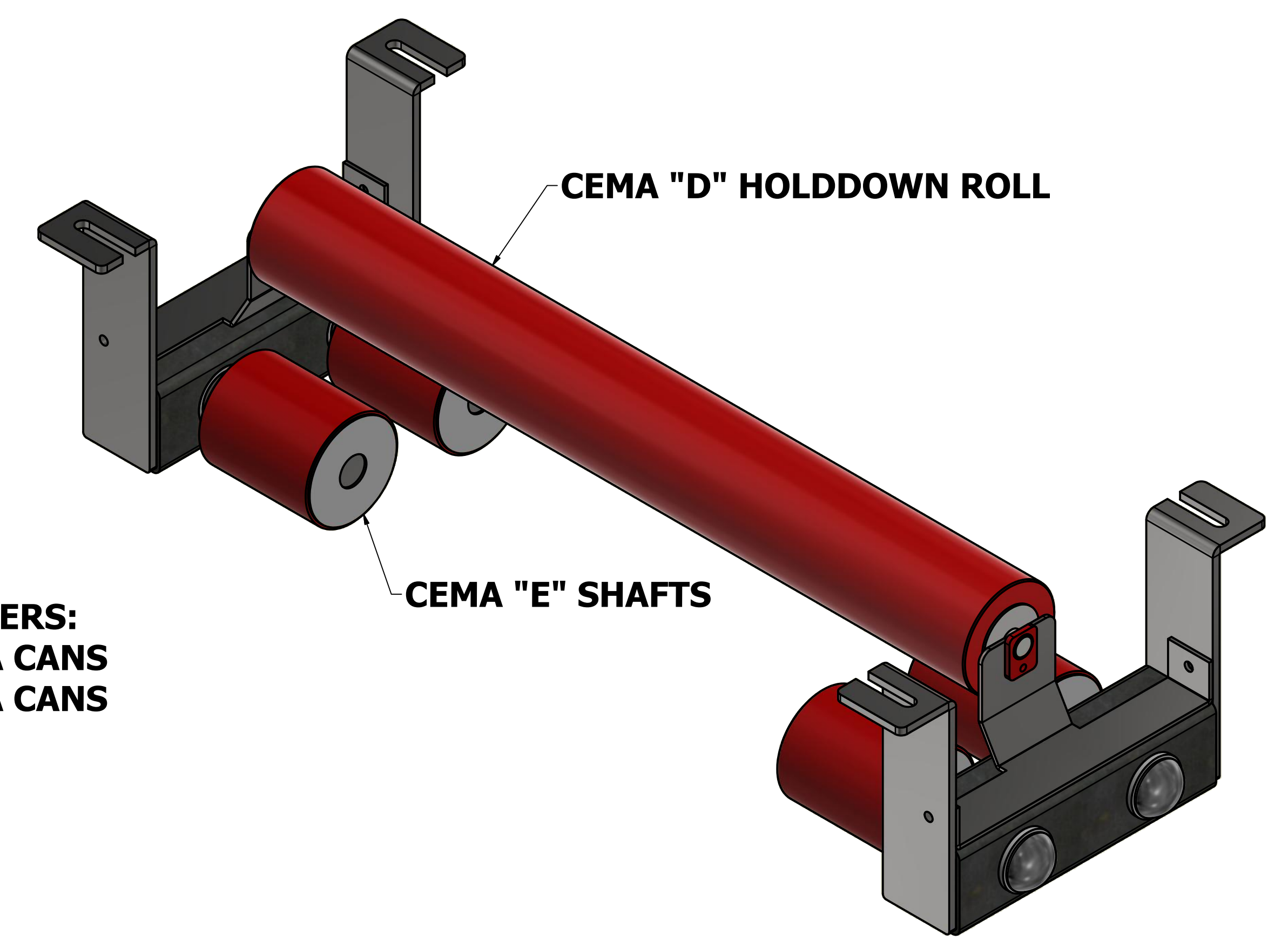
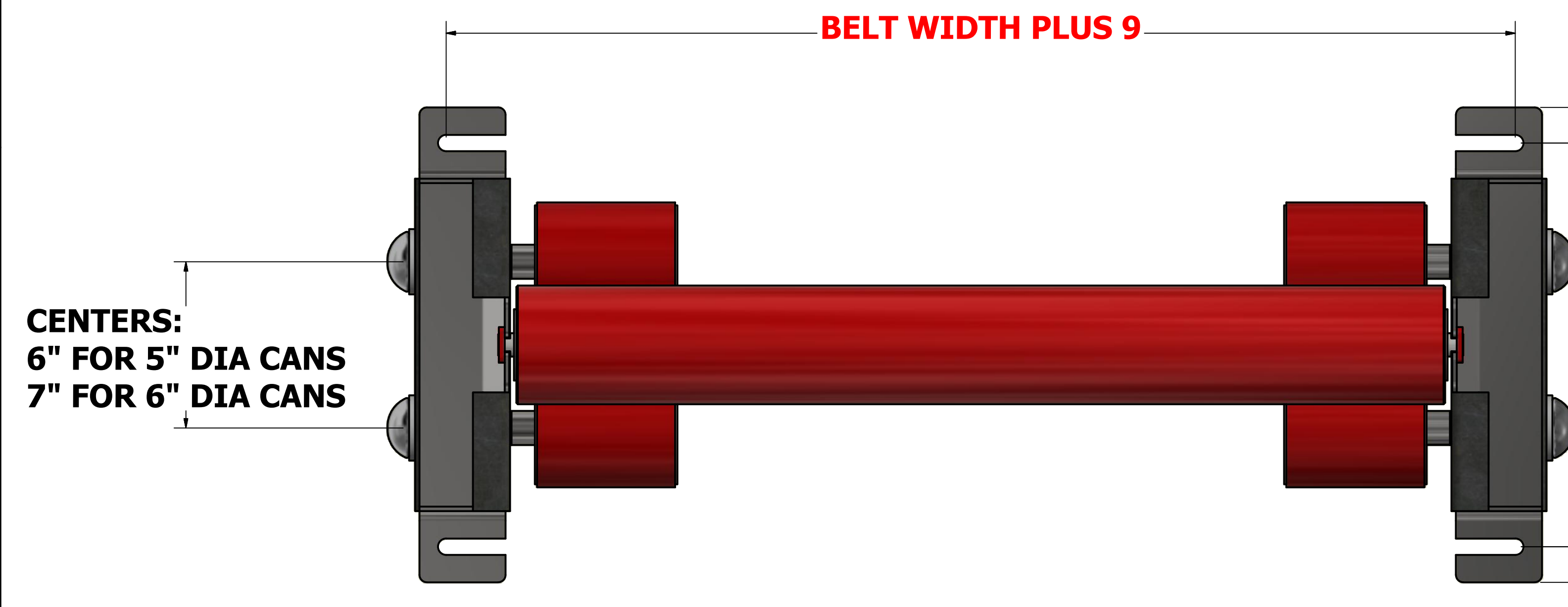
D

C

B

A

X:\BASCO STUFF\Bassco Dwg\BELT DAMPNER\BELT DAMPNER.DWG



**STANDARD CONFIGURATIONS:
5 OR 6 INCH DIAMETER ROLLS**

**MIX/MAX DROP:
3 INCHES/15 INCHES**

UNLESS OTHERWISE NOTED

(Inches)	(mm)	(Angles)
3 PLACES - ±.005	2 PLACES - ±.10	±.5~
2 PLACES - ±.010	1 PLACE - ±.25	
FRACTIONAL TOLERANCE - 1/64		
BREAK ALL SHARP EDGES		

ASGCO ASGCO MANUFACTURING, INC.
301-323 GORDON ST.
ALLEN TOWN, PA 18102-3136
800-344-4000 OR 610-821-0218
FAX: 610-778-8991
WWW.ASGCO.COM

Complete Conveyor Solutions

Material: XXXXX

THIS DRAWING AND THE INFORMATION THEREON IS CONFIDENTIAL AND MAY NOT BE COPIED OR USED WITHOUT THE WRITTEN PERMISSION OF ASGCO.

DO NOT SCALE DRAWING

MFG APPR. BY:	DATE:
CHECKED BY:	DATE:
DRAWN BY: J. FRIES	DATE: 12/24/2019

PROJECT FOR THE CUSTOMER
TITLE: M-ASG-DAMP-BW-DIA-DROP
DWG. NO: SHEET: 1 OF 1 REV. A
M-ASG-DAMP-BW-DIA-DROP

8 7 6 5 4 3 2 1