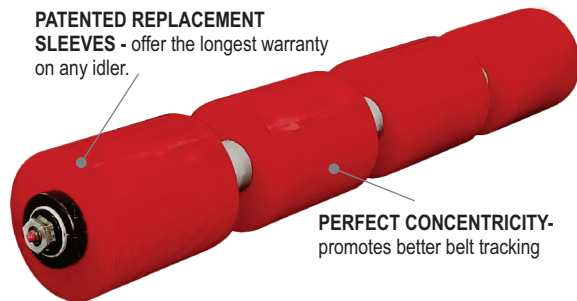


# DURA-SLEEVE™

## Urethane Disc Return Idlers

*Dura-Sleeve™ Return Idlers are the Toughest, Longest Wearing Urethane Disc Idlers!*

**Dura-Sleeve™ Urethane Return Disc Idlers** - are used on abrasive mining conditions such as iron ore, coke, copper / gold ores, underground coal mining and other hard rock mining conditions where traditional rubber discs and steel idlers don't last. These tapered roller bearing idlers have a long wear life in abrasive, wet or sticky environments.



- **Patented Design** - of our idler sleeve clamping system utilizes you to replace worn out rubber or other urethane disc return idlers.
- **Abrasion Resistant Urethane** - compounds provide wear ability that exceeds 5 times the wear life of standard rubber disc return idlers.
- **Meets all CEMA Standards** - and available in any conveyor belt width and inside and outside roller diameter.
- **CEMA D and E** - idlers are available for immediate shipment
- **3 Year Guarantee** - ASGCO® offers the longest warranty on any Dura-Sleeve™ idler. [See Warranty](#)

**Patented replaceable sleeves are also available in both CEMA D and CEMA E Idlers.**

### Available in CEMA D Dura-Sleeve™ Idlers

#### Bearings

- 30 mm (1.1811 inch bore) precision tapered roller with seals on both sides

#### Seals

- Quad horizontal labyrinth outer seal and dual lip nitrile rubber inner seal
- Delrin outer labyrinth member
- Bearings feature contact seals on both sides

#### Shaft

- Solid 30 mm (1.1811-inch) ASTM A-108 C1018 CD material
- 2" OD

#### Dura-Sleeves

- 6" OD x 7" long
- 7" OD x 7" long

### Available in CEMA E Dura-Sleeve™ Idlers

#### Bearings

- 40 mm (1.5748 inch bore) tapered roller bearing with seals on both sides

#### Seals

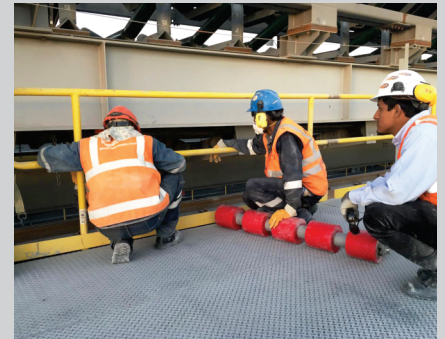
- Quad horizontal labyrinth outer seal and dual lip nitrile rubber inner seal
- Delrin outer labyrinth member
- Bearings feature contact seals on both sides

#### Shaft

- Solid 40 mm (1.5748-inch) ASTM A-108 C1018 CD material
- 2 3/4" OD

#### Dura-Sleeves™

- 6" OD x 7" long
- 7" OD x 7" long



**Need Solutions....to improve efficiency, safety and productivity? ask... ASGCO®**

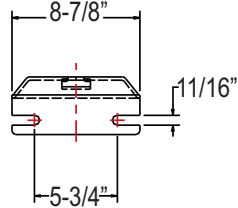
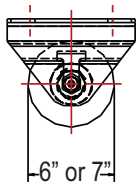
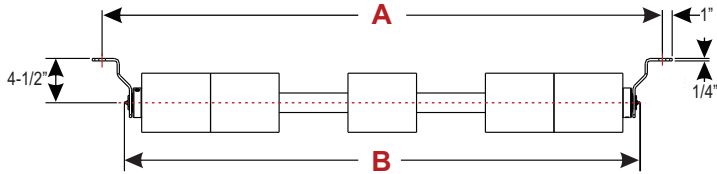
[www.asgco.com](http://www.asgco.com) | 800.344.4000



# DURA-SLEEVE IDLER™

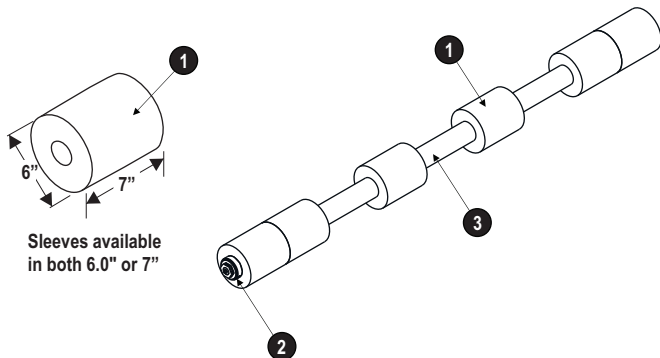
## Dura-Sleeve™ Patented Replacement Sleeves

- ASGCO®-Thane construction for extra long wear.
- 5 year warranty, the longest warranty on any Dura-Sleeve Idler.
- Sleeves are available for both CEMA D and E Idlers.
- Perfect concentricity promotes better belt tracking
- No material build-up



Dura-Sleeve™			
Belt Width	A	B	No. of Sleeves
24"	33"	28.63"	3
30"	39"	34.63"	3
36"	45"	40.63"	4
42"	51"	46.63"	4
48"	57"	52.63"	5
54"	63"	60.63"	5
60"	69"	64.63"	5
72"	81"	76.63"	6
84"	93"	88.63"	7
96"	105"	100.63"	8

Dura-Sleeve™ Replacement Parts		
Key	Description	Part Number
1	Dura-Sleeve™ Roll	ASG-2.00RS-SLD
2	Steel Collar, Adjusting Ring	ASG-DURA-COLLAR-2
3	Dura-Sleeve™ Shaft	ASG-BW9-2.00-D



Sleeves available in both 6.0" or 7"

CEMA D Belt Width +9"				
Part Number	Belt Width (Inches)	Number of Sleeves	A (Inches)	A (Inches)
M-ASG-D24BW9NS	24	3	33	26
M-ASG-D30BW9NS	30	3	39	32
M-ASG-D36BW9NS	36	4	45	38
M-ASG-D42BW9NS	42	4	51	44
M-ASG-D48BW9NS	48	5	57	50
M-ASG-D54BW9NS	54	5	63	56
M-ASG-D60BW9NS	60	5	69	62
M-ASG-D72BW9NS	72	6	81	74
M-ASG-D84BW9NS	84	7	93	86
M-ASG-D96BW9NS	96	8	105	98

CEMA D Belt Width +15"				
Part Number	Belt Width (Inches)	Number of Sleeves	A (Inches)	A (Inches)
M-ASG-D24BW15NS	24	3	39	26
M-ASG-D30BW15NS	30	3	45	32
M-ASG-D36BW15NS	36	4	51	38
M-ASG-D42BW15NS	42	4	57	44
M-ASG-D48BW15NS	48	5	63	50
M-ASG-D54BW15NS	54	5	69	56
M-ASG-D60BW15NS	60	5	75	62
M-ASG-D72BW15NS	72	6	87	74
M-ASG-D84BW15NS	84	7	99	86
M-ASG-D96BW15NS	96	8	111	98

CEMA E Belt Width +9"				
Part Number	Belt Width (Inches)	Number of Sleeves	A (Inches)	A (Inches)
M-ASG-E36BW9NS	36	4	45	38
M-ASG-E42BW9NS	42	4	51	44
M-ASG-E48BW9NS	48	5	57	50
M-ASG-E54BW9NS	54	5	63	56
M-ASG-E60BW9NS	60	5	69	62
M-ASG-E72BW9NS	72	6	81	74
M-ASG-E84BW9NS	84	7	93	86
M-ASG-E96BW9NS	96	8	105	98

CEMA E Belt Width +15"				
Part Number	Belt Width (Inches)	Number of Sleeves	A (Inches)	A (Inches)
M-ASG-E36BW15NS	36	4	51	38
M-ASG-E42BW15NS	42	4	57	44
M-ASG-E48BW15NS	48	5	63	50
M-ASG-E54BW15NS	54	5	69	56
M-ASG-E60BW15NS	60	5	75	62
M-ASG-E72BW15NS	72	6	87	74
M-ASG-E84BW15NS	84	7	99	86
M-ASG-E96BW15NS	96	8	111	98

### WARRANTY

Products engineered, manufactured and or fabricated by ASGCO® are warranted at the time of shipment to be free from defects, within the tolerances described in the Conveyor Equipment Manufacturers Association Manual or the National Industrial Belting Association's Conveyor Belt Engineering Manual, in the materials and workmanship, provided the products are properly installed, used only for the intended purpose and operated under normal service conditions. ASGCO® shall not be liable for products repaired, altered or modified, or for products subject to misuse, negligence, carelessness or accident.

Need Solutions...to improve efficiency, safety and productivity? ask... ASGCO®

www.asgco.com | 800.344.4000