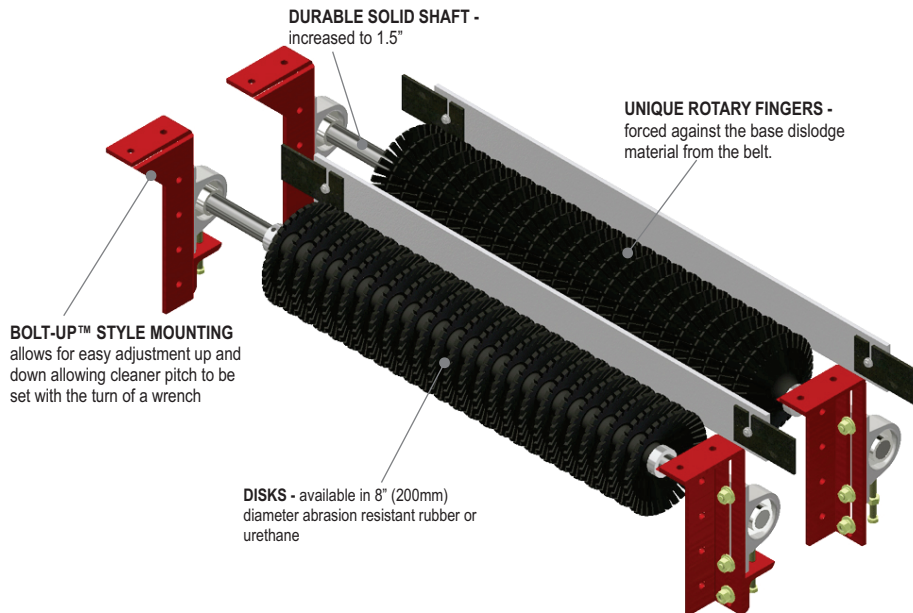


CHEVRON™ DISK BELT CLEANER

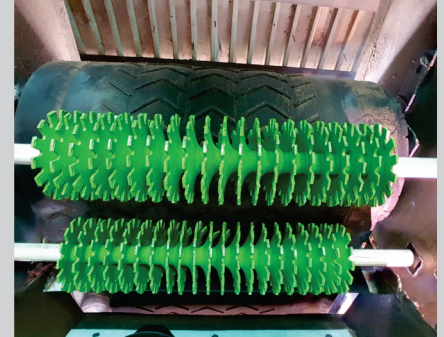
Secondary Belt Cleaner

The **Chevron™ Disk Belt Cleaner** uses the speed and force of the belt rolling over our patented rubber disks. The unique rotary fingers are forced against the base of the Chevrons to dislodge material from the belt.



- **NEW Bolt-Up™ Style Mounting** - allows for easy adjustment up and down allowing cleaner pitch to be set with the turn of a wrench
- **More Durable, Solid Shaft** - increased from 1" to 1.5", decreases deflection across the length of the cleaner
- **Patented** - concave shaped rubber discs perform a sweeping action to clean Chevron™, raised top or grooved conveyor belts
- **Sweeping Action** - unique rotary fingers remove the carry-back and is designed to work only when the conveyor belt is running
- **Easy Maintenance** - no motors, air nozzles, or other problematic equipment to maintain
- **Works Great** - in the pulp and paper, fertilizer, potash, and other bulk material industries where chevron style belts are heavily used
- **Solid or Notched** - 8" (200mm) diameter abrasion resistant rubber disks are available depending on the spacing of the chevrons and the conveyor belt speed

ASGCO®
Complete Conveyor Solutions



PRODUCT SPECIFICATIONS

Maximum Belt Speed - 500 fpm (1.5 m/sec)

Applications - Wood Processing, Mineral (Phosphate, Potash, Salt) Mining, Recycling

Need Solutions... to improve efficiency, safety and productivity? **ask... ASGCO®**

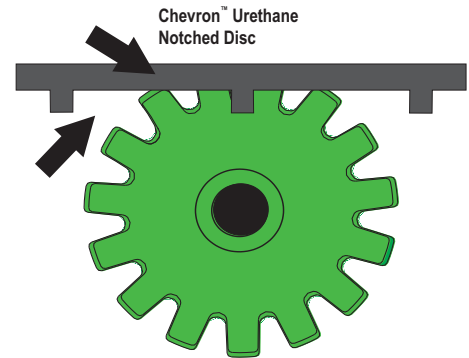
www.asgco.com | 800.344.4000

ASGCO®
Complete Conveyor Solutions

CHEVRON™ DISK BELT CLEANER

Chevron™ Discs

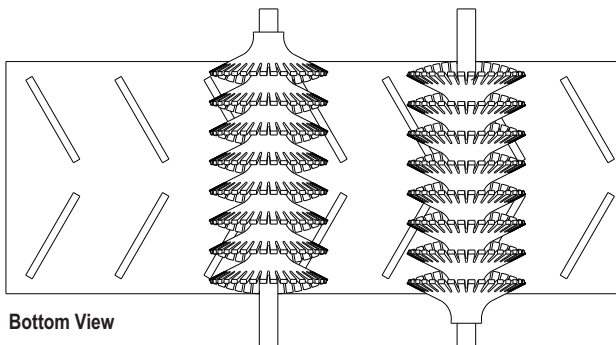
- 8" abrasion resistant rubber disks provide a gentle, thorough squeegee action for very effective cleaning
- Disks are independently flexible so each disk rapidly adjusts to belt variation, wear and cupping
- Disks work well on vulcanized or mechanical splices
- Disk life is one to four years depending on material and operating conditions
- Handles corrosive and abrasive materials - wet or dry
- Notched disk for 1' foot pitched Chevron™ or less
- Solid disks for 2' foot pitched Chevrons™ or more



Unique rotary fingers are forced against the base of the Chevron's™ to dislodge material from belt.

Patented Design

Unique rotary fingers are forced against the base of the Chevron™ to dislodge material from the belt.

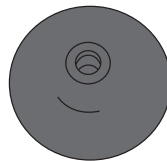


Bottom View

Dual shafts of rotating abrasion resistant disks.
With the solid disk the edge of the disk sweeps transversely across the belt surface as the disk flexes.



Chevron™ Rubber Notched Disc



Chevron™ Rubber Solid Disc



Chevron™ Urethane Notched Disc

Chevron™ Cleaning System with Notched Flex-O-Disc™					
Part Number	Belt Width		Diam.	Shaft	Wt. Lbs.
	in	mm			
M-ASG-NCHV-2S-8X1.5-18-1	18"	450	8"	1.5"	90
M-ASG-NCHV-2S-8X1.5-24-1	24"	600	8"	1.5"	98
M-ASG-NCHV-2S-8X1.5-30-1	30"	750	8"	1.5"	106
M-ASG-NCHV-2S-8X1.5-36-1	36"	900	8"	1.5"	114
M-ASG-NCHV-2S-8X1.5-42-1	42"	1050	8"	1.5"	180
M-ASG-NCHV-2S-8X1.5-48-1	48"	1200	8"	1.5"	198
M-ASG-NCHV-2S-8X1.5-54-1	54"	1350	8"	1.5"	204
M-ASG-NCHV-2S-8X1.5-60-1	60"	1500	8"	1.5"	216
Chevron™ Cleaning System with Solid Flex-O-Disc™					
Part Number	Belt Width		Diam.	Shaft	Wt. Lbs.
	in	mm			
M-ASG-SCHV-2S-8X1.5-18-1	18"	450	8"	1.5"	90
M-ASG-SCHV-2S-8X1.5-24-1	24"	600	8"	1.5"	98
M-ASG-SCHV-2S-8X1.5-30-1	30"	750	8"	1.5"	106
M-ASG-SCHV-2S-8X1.5-36-1	36"	900	8"	1.5"	114
M-ASG-SCHV-2S-8X1.5-42-1	42"	1050	8"	1.5"	180
M-ASG-SCHV-2S-8X1.5-48-1	48"	1200	8"	1.5"	198
M-ASG-SCHV-2S-8X1.5-54-1	54"	1350	8"	1.5"	204
M-ASG-SCHV-2S-8X1.5-60-1	60"	1500	8"	1.5"	216
Chevron™ Cleaning System with Urethane Flex-O-Disc™					
Part Number	Belt Width		Diam.	Shaft	Wt. Lbs.
	in	mm			
M-ASG-NCHV-2S-8X1.5-18-UE	18"	450	8"	1.5"	90
M-ASG-NCHV-2S-8X1.5-24-UE	24"	600	8"	1.5"	98
M-ASG-NCHV-2S-8X1.5-30-UE	30"	750	8"	1.5"	106
M-ASG-NCHV-2S-8X1.5-36-UE	36"	900	8"	1.5"	114
M-ASG-NCHV-2S-8X1.5-42-UE	42"	1050	8"	1.5"	180
M-ASG-NCHV-2S-8X1.5-48-UE	48"	1200	8"	1.5"	198
M-ASG-NCHV-2S-8X1.5-54-UE	54"	1350	8"	1.5"	204
M-ASG-NCHV-2S-8X1.5-60-UE	60"	1500	8"	1.5"	216
M-ASG-NCHV-2S-8X1.5-72-UE	72"	1800	8"	1.5"	234

Need Solutions...to improve efficiency, safety and productivity? ask... ASGCO®

www.asgco.com | 800.344.4000

© 5/2020 ASGCO™ Complete Conveyor Solutions™

