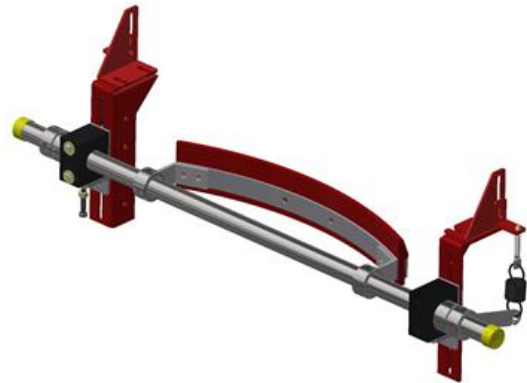




ASGCO® – “Complete Conveyor Solutions”
For Immediate Release

December 1st, 2020



ASGCO® Announces their New U-Scrape™ Secondary Conveyor Belt Cleaner!

Allentown, PA.: ASGCO® “Complete Conveyor Solutions” announces the latest addition to their line of Secondary Belt Cleaner products for bulk material handling applications.

The U-Scrape™ Secondary Cleaner’s, unique “U” shape design conforms to the return side of the belt, which allows the blade to maintain the maximum pressure in the center of the belt where the majority of the carryback material builds up. The blade is offered in two options, solid urethane, or with tungsten carbide tips embedded in urethane. With its curved U-shape blade, the U-Scrape™ blade tips are in constant contact with the belt to give you the highest cleaning efficiency, especially in tough applications.

The U-Scrape™ belt cleaner is primarily intended for use in conveyor bulk material handling applications in the following industries; Aggregates, recycling, wastewater treatment, pulp & paper, coal, coal-fired power plants, chemical processing among others where carryback and spillage needs to be eliminated.

About ASGCO®

ASGCO® “Complete Conveyor Solutions” founded in 1971 and headquartered in Allentown, PA is a leading manufacturer, distributor and service provider of proprietary conveyor and screening equipment and accessories that improve the safety and performance of bulk material handling systems.

ASGCO® is a diversified and innovative company with three major divisions that serve specific targets of the material handling industry. The growth of the company, over the years, is due to recognized improvements in the efficiency, safety and productivity of our customers operations. At ASGCO® we continue to strive to make the handling of bulk materials more efficient, safer, and more productive.

Visit our website at www.asgco.com. Contact us toll-free at (800) 344-4000.