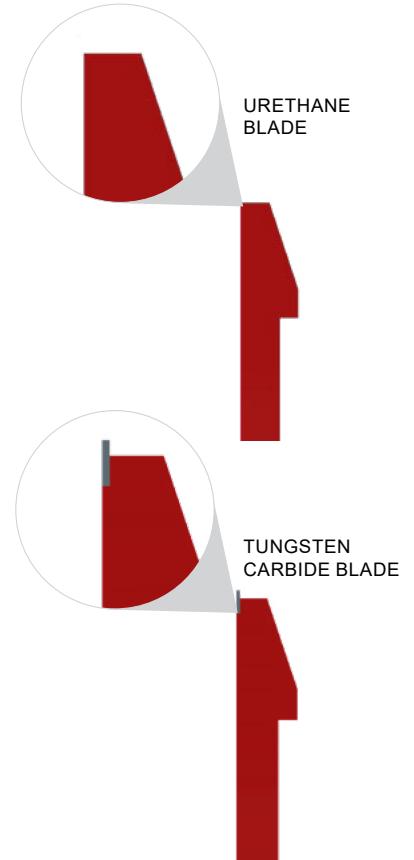
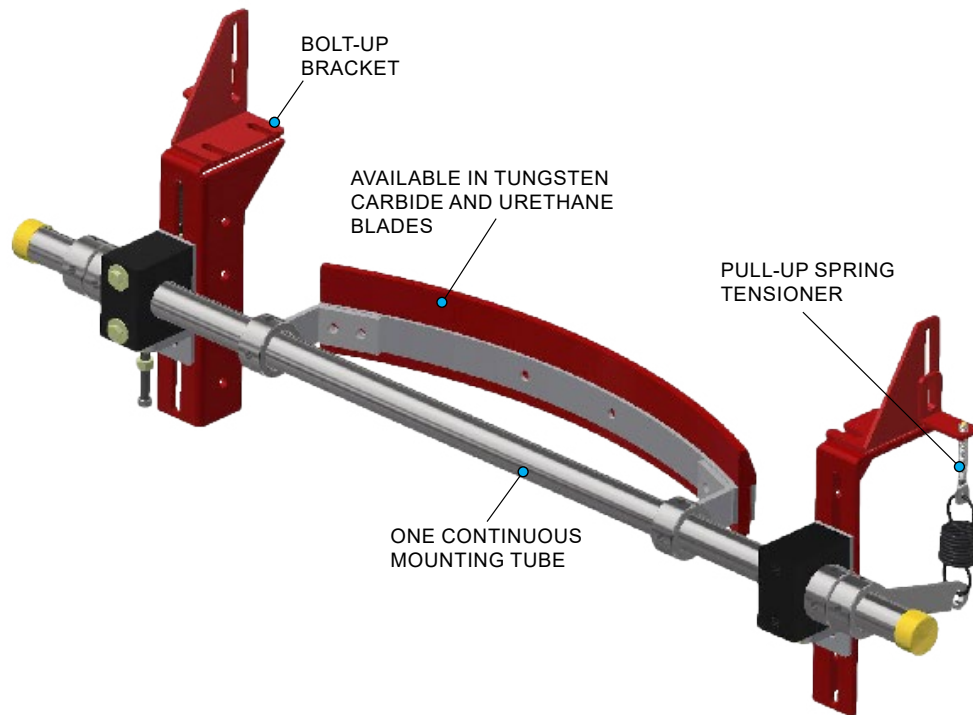


U-SCRAPE

Secondary Belt Cleaner

ASGCO[®]
Complete Conveyor Solutions

The **U-Scrape**[™] Secondary Belt Cleaners, unique “U” shaped design conforms to the return side of the belt and the blade maintains maximum pressure in the center of the belt where the majority of the carryback material builds up. The U-Scrape[™], “U” shaped urethane and tungsten carbide blade tips are in constant blade-to-belt contact for the highest cleaning efficiency – especially in tough applications requiring removal of water and sticky carryback materials.



Features & Benefits

- The tapered blade design is a solid “U” shape with tungsten carbide inserts.
- Tungsten carbide blades deliver high cleaning efficiency and long wear life.
- Urethane blades are available.
- Pull-up Spring Tensioner is a simple and effective tensioner that maintains uniform blade pressure across the width of belt and allows for visual tension inspection of the amount of required tension per belt width.
- Blade replacement is made easy with the U-Type’s removable plate. Simply release the blade tension, remove the bolts on the back of the blade frame, insert the new blade and reinsert the bolts. Replacing of the blade can be done in minutes.

PRODUCT SPECIFICATION

Maximum Belt Speed –

C-Blade (tungsten carbide): 1200 fpm (6.0 m/sec)

U-Blade (Urethane): 800 fpm (4.0 m/sec)

UHT-Blade (High Temp Urethane): 1200 fpm (6.0 m/sec)

Belt Widths – 24” - 72” (600 to 1800 mm)

Application – Aggregate, Cement, Hard Rock Mining, Coal Fired Power Plants, Steel Mills, Iron Ore and Mineral Mining

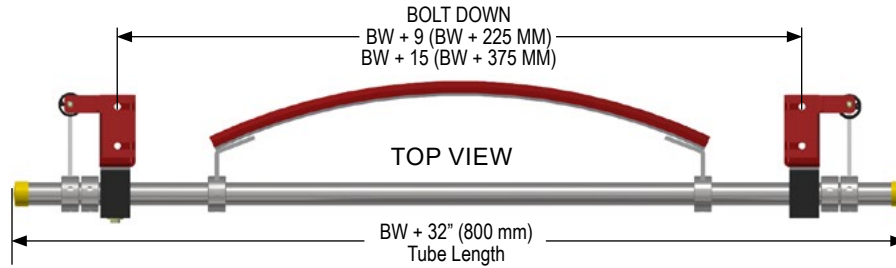
CEMA Class 4

Need Solutions...to improve efficiency, safety and productivity? ask... ASGCO[®]

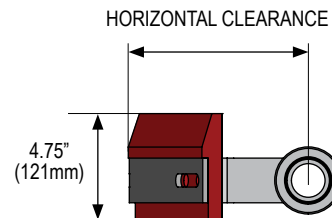
www.asgco.com | 800.344.4000

ASGCO[®]
Complete Conveyor Solutions

U-SCRAPE



Clearance Guidelines for Installation			
U-Cleaner Size		U-Cleaner Size	
in	mm	in	mm
24	600	7 ⁷ / ₁₆	189
30	750	8 ¹ / ₁₆	205
36	900	8 ³ / ₄	222
42	1050	9 ⁷ / ₁₆	240
48	1200	10 ¹ / ₁₆	256
54	1350	10 ³ / ₄	273
60	1500	11 ⁷ / ₁₆	291
66	1650	12 ¹ / ₁₆	306
72	1800	12 ³ / ₄	324



Horizontal Clearance Required - Left Chart
Vertical Clearance Required - 4 ³/₄ (121mm)

U-Scrape™ with Urethane Blade			
Part Number	Belt Width		Weight
	in	mm	
M-UC-SYS-24U-ST	24	600	-
M-UC-SYS-30U-ST	30	750	-
M-UC-SYS-36U-ST	36	900	-
M-UC-SYS-42U-ST	42	1070	-
M-UC-SYS-48U-ST	48	1200	-
M-UC-SYS-54U-ST	54	1350	-
M-UC-SYS-60U-ST	60	1500	-
M-UC-SYS-66U-ST	66	1600	-
M-UC-SYS-72U-ST	72	1800	-

U-Scrape™ with Tungsten Carbide Blade			
Part Number	Belt Width		Weight
	in	mm	
M-UC-SYS-24C-ST	24	600	-
M-UC-SYS-30C-ST	30	750	-
M-UC-SYS-36C-ST	36	900	-
M-UC-SYS-42C-ST	42	1070	-
M-UC-SYS-48C-ST	48	1200	-
M-UC-SYS-54C-ST	54	1350	-
M-UC-SYS-60C-ST	60	1500	-
M-UC-SYS-66C-ST	66	1600	-
M-UC-SYS-72C-ST	72	1800	-

U-Scrape™ with High Temperature Urethane Blade			
Part Number	Belt Width		Weight
	in	mm	
M-UC-SYS-24UHT-ST	24	600	-
M-UC-SYS-30UHT-ST	30	750	-
M-UC-SYS-36UHT-ST	36	900	-
M-UC-SYS-42UHT-ST	42	1070	-
M-UC-SYS-48UHT-ST	48	1200	-
M-UC-SYS-54UHT-ST	54	1350	-
M-UC-SYS-60UHT-ST	60	1500	-
M-UC-SYS-66UHT-ST	66	1600	-
M-UC-SYS-72UHT-ST	72	1800	-

U-Scrape™ with High Temp Urethane Tungsten Carbide Blade			
Part Number	Belt Width		Weight
	in	mm	
M-UC-SYS-24UHTC-ST	24	600	-
M-UC-SYS-30UHTC-ST	30	750	-
M-UC-SYS-36UHTC-ST	36	900	-
M-UC-SYS-42UHTC-ST	42	1070	-
M-UC-SYS-48UHTC-ST	48	1200	-
M-UC-SYS-54UHTC-ST	54	1350	-
M-UC-SYS-60UHTC-ST	60	1500	-
M-UC-SYS-66UHTC-ST	66	1600	-
M-UC-SYS-72UHTC-ST	72	1800	-

Need Solutions...to improve efficiency, safety and productivity? ask... ASGCO®

www.asgco.com | 800.344.4000

© 1/2020 ASGCO® "Complete Conveyor Solutions"

