

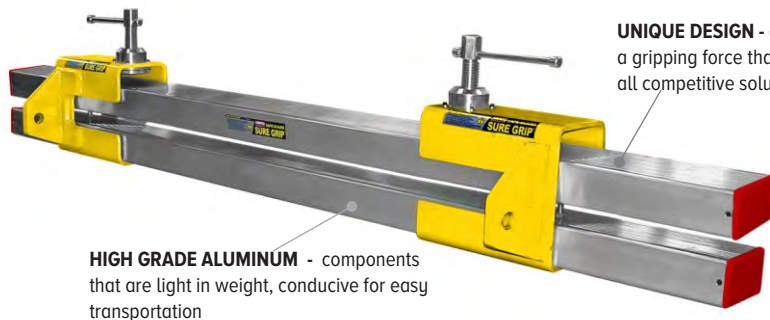
SAFE-GUARD[®] SAFE-GRIP[™] BELT CLAMPS

Conveyor Safety Product

ASGCO[®]
Complete Conveyor Solutions

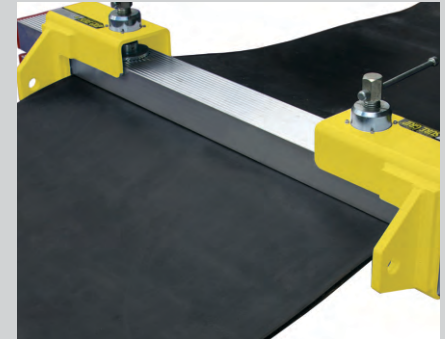
The patented **Safe-Grip[™] Belt Clamps** were created for maximum grip! Safe-Grip[™] offers exceptional belt clamping for all types of conveyor belt maintenance in a variety of working conditions.

Safe-Grip[™] Belt Clamps are the only conveyor belt clamps that provide a positive even pressure across the entire width of the conveyor belt and do not require the belt to be pulled (tensioned) in order to apply pressure to the clamps.

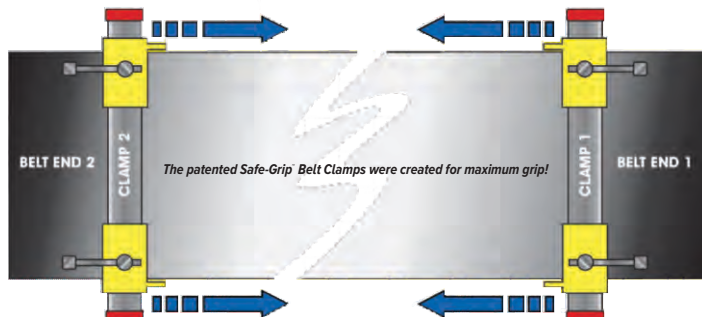


UNIQUE DESIGN - allows for a gripping force that exceeds all competitive solutions

HIGH GRADE ALUMINUM - components that are light in weight, conducive for easy transportation



- **Unique Design** - of our patented Safe-Grip[™] allows for a positive gripping force that far exceeds all competitive solutions.
- **Available in Three (3) Versions:**
 - BC3:** (3 Tons) designed for use in light to medium duty applications, including aggregates, sand and gravel, recycling, pulp and paper, lumber processing, and warehousing and distribution centers.
 - Max Belt Thickness: .625" (15mm)
 - BC6:** (6 Tons) for medium duty coal and coal fired power plants; copper and gold mining; iron ore and steel mills; bulk shipping terminals; aggregate and cement and mineral mining; pulp and paper mills.
 - Max Belt Thickness: 1" (25mm)
 - BC8:** (8 Tons) for heavy duty wide conveyor belts in coal and coal fired power plants; copper and gold mining; iron ore and steel mills; and bulk shipping terminals.
 - Max Belt Thickness: 2.25" (60mm)
- **Designed for Use in Any Conditions**
- **Easy to Transport and Assemble** – The bolt is not removed from the clamp and the Safe-Grip[™] stays assembled to minimize damage/loss.

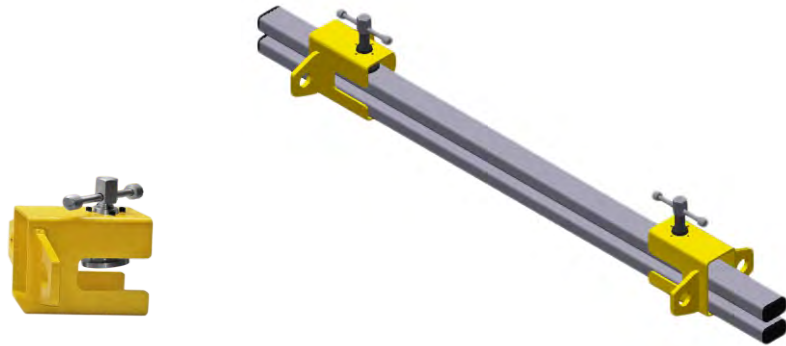


SAFE-GUARD® SAFE-GRIP™ BELT CLAMPS

Safe-Guard® Safe-Grip™ Belt Clamps
BC3 (3 Ton) Pair of Belt Clamps

Part Number	Belt Width		Belt Width Mx.Thickness	
	in	mm	in	mm
M-ASG-SGSDP-24-AB-1	24	600	<.625	15
M-ASG-SGSDP-30-AB-1	30	760	<.625	15
M-ASG-SGSDP-36-AB-1	36	900	<.625	15
M-ASG-SGSDP-42-AB-1	42	4050	<.625	15
M-ASG-SGSDP-48-AB-1	48	1200	<.625	15
M-ASG-SGSDP-54-AB-1	54	1350	<.625	15
M-ASG-SGSDP-60-AB-1	60	1500	<.625	15
M-ASG-SGSDP-66-AB-1	66	1680	<.625	15
M-ASG-SGSDP-72-AB-1	72	1800	<.625	15

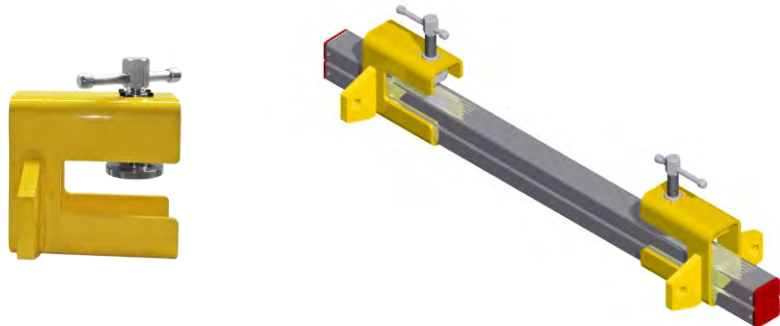
BC3: (3 Ton) • Max Belt Thickness: 5/8" (15mm) Screw Tension: 175 lbs/ft



Safe-Guard® Safe-Grip™ Belt Clamps
BC6 (6 Ton) Pair of Belt Clamps

Part Number	Belt Width		Belt Width Mx.Thickness	
	in	mm	in	mm
M-ASG-SGMDP-36-AB-1	36	900	<1	25
M-ASG-SGMDP-42-AB-1	42	1050	<1	25
M-ASG-SGMDP-48-AB-1	48	1200	<1	25
M-ASG-SGMDP-54-AB-1	54	1350	<1	25
M-ASG-SGMDP-60-AB-1	60	1500	<1	25
M-ASG-SGMDP-72-AB-1	72	1800	<1	25

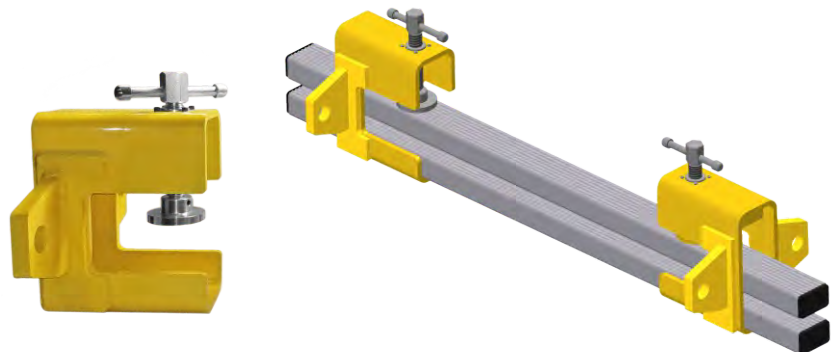
BC6: (6 Ton) • Max Belt Thickness: 1" (25mm) Screw Tension: 175 lbs/ft



Safe-Guard® Safe-Grip™ Belt Clamps
BC8 (8 Ton) Pair of Belt Clamps

Part Number	Belt Width		Belt Width Max Thickness	
	in	mm	in	mm
M-ASG-SGHDP-36-AB-1	36	900	<2.25	60
M-ASG-SGHDP-42-AB-1	42	1050	<2.25	60
M-ASG-SGHDP-48-AB-1	48	1200	<2.25	60
M-ASG-SGHDP-54-AB-1	54	1350	<2.25	60
M-ASG-SGHDP-60-AB-1	60	1500	<2.25	60
M-ASG-SGHDP-72-AB-1	72	1800	<2.25	60
M-ASG-SGHDP-84-AB-1	84	2100	<2.25	60
M-ASG-SGHDP-96-AB-1	96	2400	<2.25	60

BC8: (8 Ton) • Max Belt Thickness: 2.25" (60mm) Screw Tension: 175 lbs/ft



NOTE: The above data is based on extensive testing and represents standard values. ASGCO® reserves the right to make changes without prior notice and refuses all claims arising from such changes. All items are subject to change without previous notice.

Need Solutions...to improve efficiency, safety and productivity? ask... ASGCO®

www.asgco.com | 800.344.4000

© 3/2022 ASGCO "Complete Conveyor Solutions"

