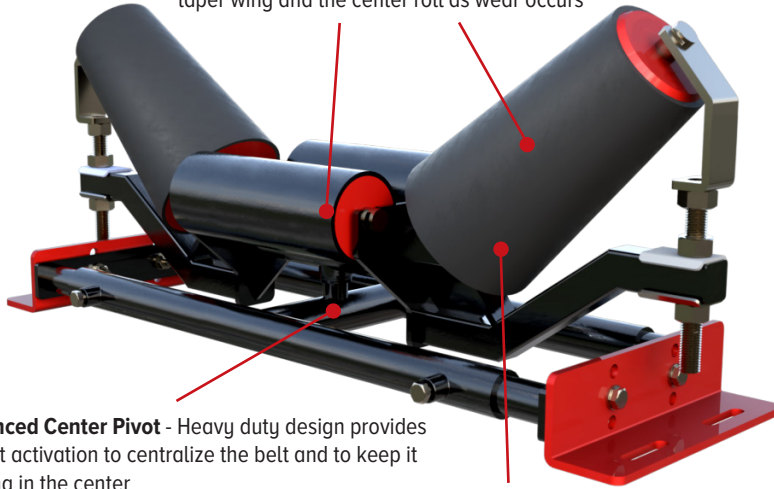


TRU-TRAINER® TAPERED TROUGHING IDLER

The Best Conveyor Belt Tracking Idler for Tough Mining Conditions

The patented ASGCO® **Tru-Trainer® Tapered Trougher Idler** offers the ultimate in tracking performance on the load-carrying side of the conveyor and is the result of over 10 years of design and innovation. This design is highly responsive and quick to activate on both loaded and unloaded conveyors.

Individual rollers - For easy replacement, both the taper wing and the center roll as wear occurs



Enhanced Center Pivot - Heavy duty design provides instant activation to centralize the belt and to keep it running in the center

Highly Abrasive Resistant Lagging - Comes in rubber, polyurethane and also available in flame retardant lagging

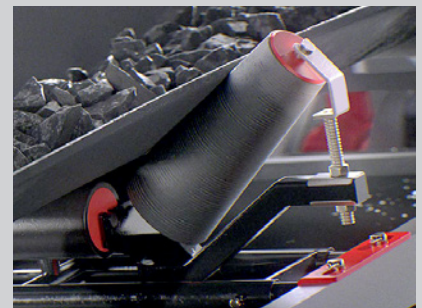
Also Available



Tru-Trainer® Tapered Troughing Urethane Idler

Features & Benefits

- **Exceptional Performance** - The combination of the tapers and unique center pivot, provide fast, reactive and continual tracking in all conditions
- **Individual rollers for easy replacement** - both the taper wing and center roller can be individually replaced as wear occurs
- **Enhanced Center Pivot** - The unique heavy duty pivot design provides instant activation to centralize the belt to keep it running center.
- **Maintenance Free** - Bearings do not require any greasing
- **Lagging** - Available in High Abrasive, Rubber Lagging ½ in. thick or Polyurethane Lagging ½ in. thick (Red). Also available in Fire Retardant lagging.
- **Operates in all conditions** - Quick activation on both wet and dry conveyor belts, Versatile Installation - Minimum tensioning is required on the center rolls, which can be easily adjusted with the supplied mounting brackets.
- **Reversing Belts** - Excellent performance Available from 18 in. - 84 in. (custom sizes available)



ASGCO
Complete Conveyor Solutions

Need Solutions...to improve efficiency, safety and productivity? ask... ASGCO®

www.asgco.com | 800.344.4000

@2023 ASGCO® "Complete Conveyor Solutions"

ASGCO
Complete Conveyor Solutions

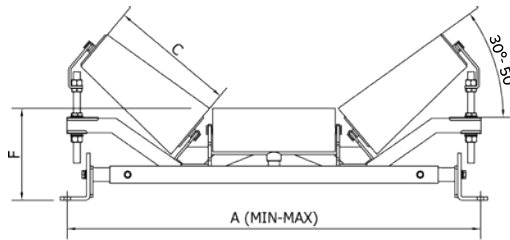
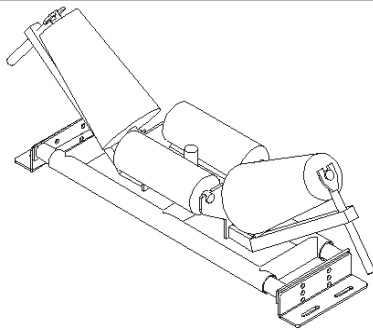
TRU-TRAINER® TAPERED TROUGHING IDLER

Tru-Trainer® Tapered Troughing Idler & Tru-Trainer® Tapered Troughing Urethane Idler

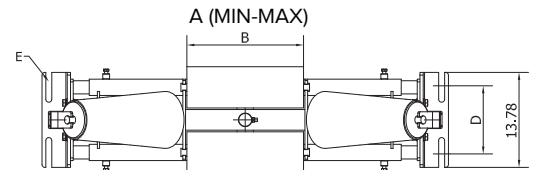
As the taper wing rollers are inline, it operates on both on Uni-directional or Bi-directional conveyor belts. The tracking is done by the tapered wing rollers which are lagged and can be easily adjusted between 35°- 50°. The tapered wing rollers ensure that the idler activates immediately as the belt moves off center.

Tru-Trainer® Tapered Troughing Idler & Tapered Troughing Urethane Idler Installation Chart

Part Number		Belt Width	Adjustable Min-Max	B	C	D Min-Max	E (Slot)	F Min-Max	Angle Min-Max
Tapered Troughing Idler	Tapered Troughing Urethane Idler								
ASG-TTTT-45-TD-1	ASG-TTTT-45-TD-UE-1	18"	24.80-28.54	4.7	7.88	6-13	.86x3.54	8.85-10.33	35°-50°
ASG-TTTT-60-TD-1	ASG-TTTT-60-TD-UE-1	24"	30.70-38.38	8.66	9.81	6-13	.86x3.54	8.85-10.33	35°-50°
ASG-TTTT-75-TD-1	ASG-TTTT-75-TD-UE-1	30"	32.67-44.29	10.63	11.44	6-13	.86x3.54	8.85-10.33	35°-50°
ASG-TTTT-90-TD-1	ASG-TTTT-90-TD-UE-1	36"	38.58-57.87	12.6	13.75	6-13	.86x3.54	10.43-11.90	35°-50°
ASG-TTTT-105-TD-1	ASG-TTTT-105-TD-UE-1	42"	44.48-63.97	14.56	14.94	6-13	.86x3.54	10.43-11.90	35°-50°
ASG-TTTT-120-TD-1	ASG-TTTT-120-TD-UE-1	48"	50.78-70.00	16.93	17.31	6-13	.86x3.54	10.23-14.66	35°-50°
ASG-TTTT-135-TD-1	ASG-TTTT-135-TD-UE-1	54"	50.78-70.00	18.9	19.31	6-13	.86x3.54	10.23-14.66	35°-50°
ASG-TTTTHD-150-TD-1	ASG-TTTTHD-150-TD-UE-1	60"	58.66-77.95	21.25	21.25	6-13	.86x3.54	10.23-14.66	35°-50°
ASG-TTTTXHD-180-TD-1	ASG-TTTTXHD-180-TD-UE-1	72"	74.41-95.86	25.2	25.19	6-13	.86x3.54	12.42-16.85	35°-50°
ASG-TTTTEXHD-210-TD-1	ASG-TTTTEXHD-210-TD-UE-1	84"	82.28-103.75	28.34	29.50	6-13	.86x3.54	12.42-16.85	35°-50°



Rubber Wing Roll



Urethane Wing Roll

Tru-Trainer® Tapered Troughing Replacement Wing Rolls

As the taper wing rollers are inline, it operates on both on Uni-directional or Bi-directional conveyor belts. The tracking is done by the tapered wing rollers which are lagged and can be easily adjusted between 35°- 50°. The tapered wing roller sensor is activated immediately by the idler as the belt moves off center.



Rubber Wing Rolls		
Part Number	Belt Width	
	in	mm
ASG-WINGR-18-TD	18	450
ASG-WINGR-24/30-TD	24/30	600/760
ASG-WINGR-36/42-TD	36/42	900/1000
ASG-WINGR-48-TD	48	1200
ASG-WINGR-54-HD-TD	54	1370
ASG-WINGR-60-HD-TD	60	1500
ASG-WINGR-72-XHD-TD	72	1800
ASG-WINGR-84-EXHD-TD	84	2100

Urethane Wing Rolls			
Part Number	Belt Width		
	in	mm	
ASG-WINGR-18-UE-TD	18	450	
ASG-WINGR-24-UE-TD	24	600	
ASG-WINGR-36/42-UE-TD	36/42	900/1000	
ASG-WINGR-48-UE-TD	48	1200	
ASG-WINGR-54-HD-UE-TD	54	1370	
ASG-WINGR-60-HD-UE-TD	60	1500	
ASG-WINGR-72-XHD-UE-TD	72	1800	
ASG-WINGR-84-EXHD-UE-TD	84	2100	

Rubber Wing Rolls		
Part Number	Belt Width	
	in	mm
ASG-WINGR-18-TD	18	450
ASG-WINGR-24-TD-1	24	600
ASG-WINGR-30-TD	30	760
ASG-WINGR-36-TD-1	36	900
ASG-WINGR-42-TD	42	1000
ASG-WINGR-48-TD-1	48	1200
ASG-WINGR-54-HD-TD	54	1370
ASG-WINGR-60-HD-TD	60	1500
ASG-WINGR-72-XHD-TD	72	1800
ASG-WINGR-84-EXHD-TD	84	2100

Urethane Wing Rolls		
Part Number	Belt Width	
	in	mm
ASG-WINGR-18-UE-TD	18	450
ASG-WINGR-24-UE-TD-1	24	600
ASG-WINGR-30-UE-TD	30	760
ASG-WINGR-36-UE-TD-1	36	900
ASG-WINGR-42-UE-TD	42	1000
ASG-WINGR-48-UE-TD-1	48	1200
ASG-WINGR-54-HD-UE-TD	54	1370
ASG-WINGR-60-HD-UE-TD	60	1500
ASG-WINGR-72-XHD-UE-TD	72	1800
ASG-WINGR-84-EXHD-UE-TD	84	2100

Need Solutions...to improve efficiency, safety and productivity? ask... ASGCO®

www.asgco.com | 800.344.4000

@2023 ASGCO® "Complete Conveyor Solutions"

