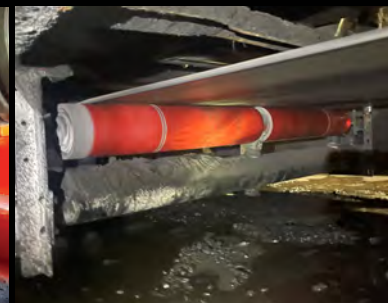


**PROVIDING THE WORLD'S MATERIAL HANDLING INDUSTRY  
WITH EFFICIENT, SAFE AND PRODUCTIVE "COMPLETE CONVEYOR SOLUTIONS".**



# CONVEYOR BELT TRACKING & SPECIALTY IDLERS



## Tru-Trainer® Flat Return

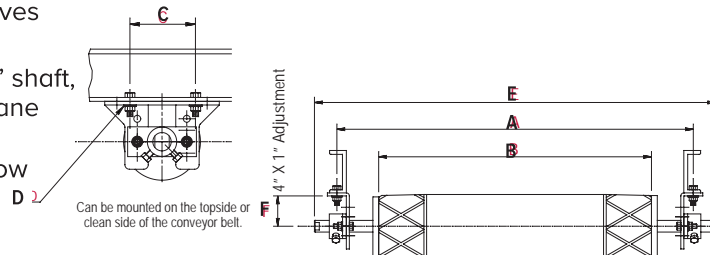
### Tru-Trainer® Flat Return Idler

ASGCO®'s training idlers are a patented design that offers the most reliable and re-active training idlers available today. Its' stainless steel internal pivot, that is perpendicular to the plane of the belt, and its' rubber covered shell and tapered ends help actuate the trainer immediately as the belt moves off center.

- **Continuous Alignment** – by always tracking the belt to the center of the conveyor, it reduces edge damage, spillage and improves overall conveyor performance.
- **Heavy-Duty Design** – of our trainer uses 3 7/16" bearings, 1 3/4" shaft, and an abrasive resistant hot-vulcanized rubber cover. Urethane covers also available.
- **Reactionary** – in both wet and dry conditions, as seen in below and above ground mining all over the world.



\* ALSO AVAILABLE IN URETHANE



Can be mounted on the topside or clean side of the conveyor belt.

Tru-Trainer® Flat Return Idler & Flat Return Urethane Idler (All dimensions are in inches)

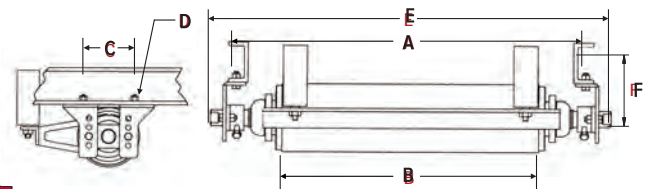
Part Number	Belt Width	Lbs.	A Adj.	B	C Min - Max	D (Slot)	E	F
ASG-TTFR-45	18"	73	27	19.29	3.35 - 7.68	.55 x 2.76	33.46	1.57 - 4.53
ASG-TTFR-60	24"	84	33	25.20	3.35 - 7.68	.55 x 2.76	39.37	1.57 - 4.53
ASG-TTFR-75	30"	93	39	31.10	3.35 - 7.68	.55 x 2.76	45.28	1.57 - 4.53
ASG-TTFR-90	ASG-TTFR-90-UE	106	45	37.01	3.35 - 7.68	.55 x 2.76	51.18	1.57 - 4.53
ASG-TTFR-105	ASG-TTFR-105-UE	117	51	42.91	3.35 - 7.68	.55 x 2.76	57.09	1.57 - 4.53
ASG-TTFR-120	ASG-TTFR-120-UE	128	57	48.82	3.35 - 7.68	.55 x 2.76	62.99	1.57 - 4.53
ASG-TTFRHD-135	ASG-TTFRHD-135-UE	183	63	56.69	3.35 - 7.68	.55 x 2.76	70.87	1.57 - 4.53
ASG-TTFRHD-150	ASG-TTFRHD-150-UE	190	69	62.60	3.35 - 7.68	.55 x 2.76	76.77	1.57 - 4.53



### Tru-Trainer® Flat Return Low Speed Idler

- **Reliable Performance** – This product is robust, reliable, long lasting and provide effective performance in all conditions.
- **Lagging** – Covered with abrasive resistant hot-vulcanized rubber cover.
- **Operates in All Conditions** – Quick activation on both wet and dry belts, both above and below ground.
- **Versatile Installation** – Can be installed on the return side of the belt, and then tension can be adjusted easily with the supplied mounting brackets.

\* ALSO AVAILABLE IN URETHANE



Tru-Trainer® Flat Return Low Speed Idler (All dimensions are in inches)

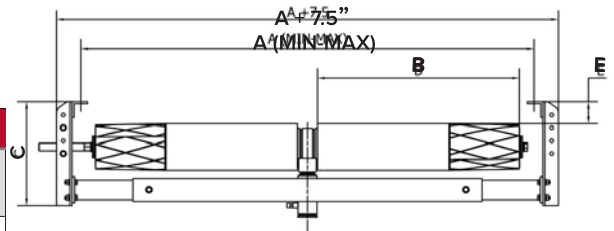
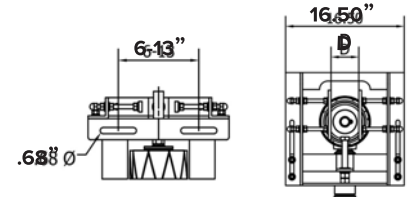
Part Number	Belt Width		Lbs.	A Adj.	B	C Min - Max	D (Slot)	E	F
	in	mm							
ASG-TTFR-60-LS	24	600	105	33	25	3.35 - 7.68	.55 x 2.76	39	1.57 - 4.5
ASG-TTFR-75-LS	30	750	115	39	31	3.35 - 7.68	.55 x 2.76	45	1.57 - 4.5
ASG-TTFR-90-LS	36	900	128	45	37	3.35 - 7.68	.55 x 2.76	51	1.57 - 4.5
ASG-TTFR-105-LS	42	1050	139	51	43	3.35 - 7.68	.55 x 2.76	57	1.57 - 4.5
ASG-TTFR-120-LS	48	1200	150	57	49	3.35 - 7.68	.55 x 2.76	63	1.57 - 4.5
ASG-TTFRHD-135-LS	54	1350	205	63	55	3.35 - 7.68	.55 x 2.76	70	1.57 - 4.5
ASG-TTFRHD-150-LS	60	1500	212	69	61	3.35 - 7.68	.55 x 2.76	76	1.57 - 4.5



### Tru-Trainer® Dual Return Idlers

This product was developed to accommodate the excessive forces encountered with wide belts and heavy loads. An external central pivot mechanism was designed, obviating the need for a single, large drum, and enabling a concentric and balanced rotation to be achieved.

- **Two Separate Tapered Rolls** – are mounted into the pivot mechanism and can be individually replaced as wear occurs.
- **Designed for High Speed/PIW Conveyors** – to operate and last in severe conditions, wet and dry, and aggressive mining conditions. Conveyor belt speeds that exceed 800fpm and/or greater than 1500 PIW.
- **Enhanced Sealing/Bearing System** – tapered roller bearings and enhanced sealing system for the most aggressive mining conditions.

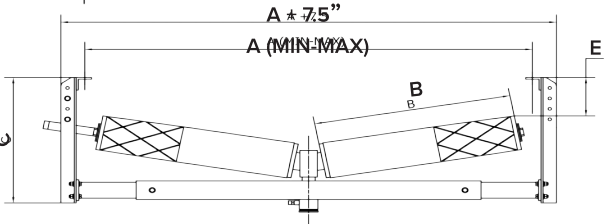
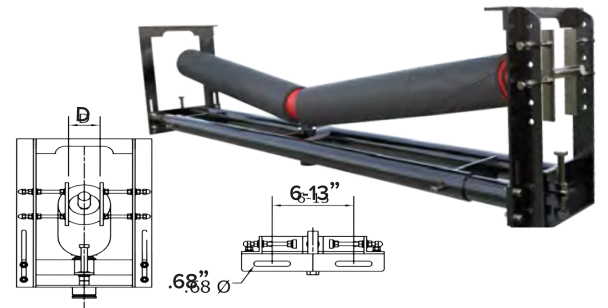


Tru-Trainer® Dual Return Idler (All dimensions are in inches)						
Part Number	Belt Width	A Adjustable Min-Max	B	C	D	E (Min-Max)
ASG-TTDR-120-1	48"	52.75-62.75	24.81	15.75	3.56	(-1.75)-3.12
ASG-TTDR-135-1	54"	58.62-68.50	27.75	15.75	3.63	(-1.75)-3.12
ASG-TTDR-150-1	60"	65.37-74.37	30.69	15.75	3.88	(-1.75)-3.12
ASG-TTDR-165-1	66"	70.50-80.12	33.69	15.75	4.00	(-1.75)-3.12
ASG-TTDR-180-1	72"	76.37-86.62	36.63	15.75	4.31	(-1.75)-3.12
ASG-TTDR-210-1	84"	89-98.43	42.94	15.75	4.81	(-1.75)-3.12

### Tru-Trainer® Dual V-Return Idlers

This product was developed to accommodate the excessive forces encountered with V-Return® idler conveyors, systems and structures.

- **Two Separate Tapered Rolls** – are mounted into the pivot mechanism and can be individually replaced as wear occurs.
- **Designed for High Speed/PIW Conveyors** – to operate and last in severe conditions, wet, dry, and aggressive mining conditions.
- **Enhanced Sealing/Bearing System** – tapered roller bearings and enhanced sealing system.



Tru-Trainer® Dual V-Return Idler (All dimensions are in inches)						
Part Number	Belt Width	A Adjustable Min-Max	B	C	D	E Min-Max
ASG-TTVR-105-1	42"	46.25 - 56.50	21.63	23.63	3.44	(-6)-8.62
ASG-TTVR-120-1	48"	52 - 62.75	24.81	23.63	3.56	(-6)-8.00
ASG-TTVR-135-1	54"	57.50 - 68.50	27.75	23.63	3.63	(-6)-7.50
ASG-TTVR-150-1	60"	63.50 - 74.50	30.69	23.63	3.88	(-6)-7.25
ASG-TTVR-165-1	66"	69.25 - 80	33.69	23.63	4.00	(-6)-6.50
ASG-TTVR-180-1	72"	75.25 - 86.50	36.63	23.63	4.31	(-6)-6.12
ASG-TTVR-210-1	84"	87.60-98.43	42.91	23.63	4.80	(-6)-4.92

## Tru-Trainer® Dual Return Urethane / Dual V-Return Urethane Idlers

### Tru-Trainer® Dual Return Urethane Idlers (Mine Duty)

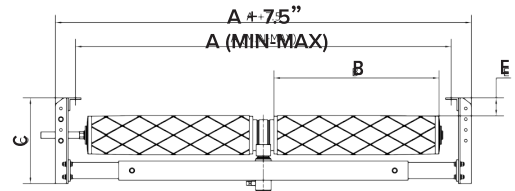
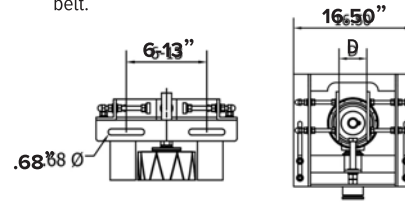
The Tru-Trainer® Dual Return Urethane was developed to accommodate the excessive forces encountered with wide belts and heavy loads.

- **Designed for High Speed/PIW Conveyors** – to operate and last in severe, wet, dry, and aggressive mining conditions. Conveyor belt speeds that exceed 800 fpm and/or greater than 1500 PIW.
- **Heavy Duty Rolls** – 3/4" polyurethane lagged, tapered rollers are mounted onto the pivot mechanism, which can be individually replaced as wear occurs.
- **Enhanced Sealing/Bearing System** – needle thrust and tapered roller bearings; enhanced sealing system for the most aggressive conditions.

Tru-Trainer® Dual Return Urethane Idler (All dimensions are in inches)						
Part Number	Belt Width	A Adjustable Min-Max	B	C	D	E (Min-Max)
ASG-TTDR-120-UE-1	48"	52.75-62.75	24.81	15.75	3.56	(-1.75)-3.12
ASG-TTDR-135-UE-1	54"	58.62-68.50	27.75	15.75	3.63	(-1.75)-3.12
ASG-TTDR-150-UE-1	60"	65.37-74.37	30.69	15.75	3.88	(-1.75)-3.12
ASG-TTDR-165-UE-1	66"	70.50-80.12	33.69	15.75	4.00	(-1.75)-3.12
ASG-TTDR-180-UE-1	72"	76.37-86.62	36.63	15.75	4.31	(-1.75)-3.12
ASG-TTDR-210-UE-1	84"	89-98.43	42.94	15.75	4.81	(-1.75)-3.12



Can be mounted on the topside or clean side of the conveyor belt.

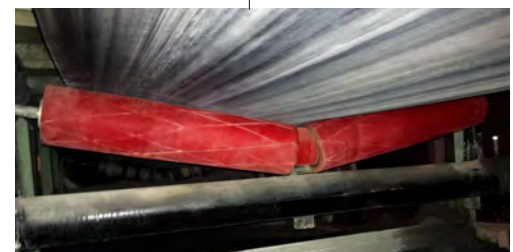
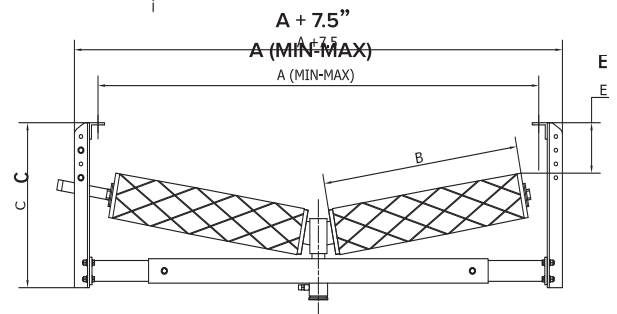
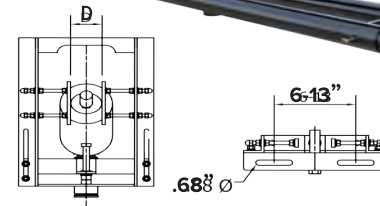


### Tru-Trainer® Dual V-Return Urethane Idlers

The Tru-Trainer® Dual V-Return was developed to accommodate the excessive forces encountered with V-Return idler conveyors, systems and structures.

- **Two Separate Tapered Rolls** – 3/4" polyurethane lagged, are mounted into the pivot mechanism.
- **Designed for High Speed/PIW Conveyors** – to operate and last in severe, wet, dry, and aggressive mining conditions.
- **Enhanced Sealing/Bearing System** – needle thrust and tapered roller bearings and enhanced sealing system for the most aggressive mining conditions.
- **Individual Rollers for Easy Replacement** – separate tapered rolls are mounted onto the pivot mechanism, which can be individually replaced as wear occurs.

Tru-Trainer® Dual V-Return Urethane Idler (All dimensions are in inches)						
Part Number	Belt Width	A Adjustable Min-Max	B	C	D	E Min-Max
ASG-TTVR-105-UE-1	42"	46.25 - 56.50	21.63	23.63	3.44	(-6)-8.62
ASG-TTVR-120-UE-1	48"	52 - 62.75	24.81	23.63	3.56	(-6)-8.00
ASG-TTVR-135-UE-1	54"	57.50 - 68.50	27.75	23.63	3.63	(-6)-7.50
ASG-TTVR-150-UE-1	60"	63.50 - 74.50	30.69	23.63	3.88	(-6)-7.25
ASG-TTVR-165-UE-1	66"	69.25 - 80	33.69	23.63	4.00	(-6)-6.50
ASG-TTVR-180-UE-1	72"	75.25 - 86.50	36.63	23.63	4.31	(-6)-6.12
ASG-TTVR-210-UE-1	84"	87.60-98.43	42.91	23.63	4.80	(-6)-4.92



# Tru-Trainer® Tapered Troughing Idlers & Tapered Troughing Urethane Idlers

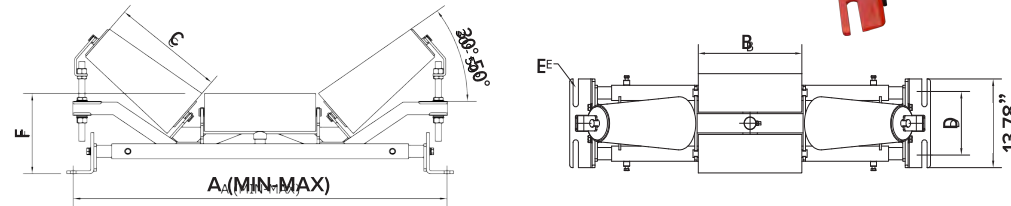
## Tru-Trainer® Tapered Troughing Idlers

This patented ASGCO® tapered trougher offers the ultimate in tracking performance on the load-carrying side and is the result of over 10 years of design and innovation. This design is highly responsive and quick to activate on both loaded and unloaded conveyors.

- **Exceptional Performance** – The combination of the tapers and unique center pivot, provide fast, reactive and continual tracking in all conditions.
- **Individual rollers for easy replacement** – Both the taper wing and center roller can be individually replaced as wear occurs.
- **Enhanced Center Pivot** – The heavy duty pivot design provides instant activation to centralize the belt to keep it running center.



Available in Urethane



### Tru-Trainer® Tapered Troughing Idler & Tapered Troughing Urethane Idler (All dimensions are in inches)

Part Number	Belt Width	Adjustable Min-Max	B	C	D Min-Max	E (Slot)	F Min-Max	Angle Min-Max	
ASG-TTTT-45-TD-1	ASG-TTTT-45-TD-UE-1	18"	24.80-28.54	4.7	7.88	6-13	.86x3.54	8.85-10.33	35°-50°
ASG-TTTT-60-TD-1	ASG-TTTT-60-TD-UE-1	24"	30.70-38.38	8.66	9.81	6-13	.86x3.54	8.85-10.33	35°-50°
ASG-TTTT-75-TD-1	ASG-TTTT-75-TD-UE-1	30"	32.67-44.29	10.63	11.44	6-13	.86x3.54	8.85-10.33	35°-50°
ASG-TTTT-90-TD-1	ASG-TTTT-90-TD-UE-1	36"	38.58-57.87	12.6	13.75	6-13	.86x3.54	10.43-11.90	35°-50°
ASG-TTTT-105-TD-1	ASG-TTTT-105-TD-UE-1	42"	44.48-63.97	14.56	14.94	6-13	.86x3.54	10.43-11.90	35°-50°
ASG-TTTT-120-TD-1	ASG-TTTT-120-TD-UE-1	48"	50.78-70.00	16.93	17.31	6-13	.86x3.54	10.23-14.66	35°-50°
ASG-TTTT-135-TD-1	ASG-TTTT-135-TD-UE-1	54"	50.78-70.00	18.9	19.31	6-13	.86x3.54	10.23-14.66	35°-50°
ASG-TTTTHD-150-TD-1	ASG-TTTTHD-150-TD-UE-1	60"	58.66-77.95	21.25	21.25	6-13	.86x3.54	10.23-14.66	35°-50°
ASG-TTTTXHD-180-TD-1	ASG-TTTTXHD-180-TD-UE-1	72"	74.41-95.86	25.2	25.19	6-13	.86x3.54	12.42-16.85	35°-50°
ASG-TTTTEXHD-210-TD-1	ASG-TTTTEXHD-210-TD-UE-1	84"	82.28-103.75	28.34	29.50	6-13	.86x3.54	12.42-16.85	35°-50°

## Tru-Trainer® Tapered Troughing Replacement Wing Rolls

As the taper wing rollers are inline, it operates on both on Uni-directional or Bi-directional conveyor belts. The tracking is done by the tapered wing rollers which are lagged and can be easily adjusted between 25°- 55°. The tapered wing roller sensor is activated immediately by the idler as the belt moves off center.

Rubber Wing Roll



Urethane Wing Roll



### Rubber Wing Rolls

Part Number	Belt Width	
	in	mm
ASG-WINGR-18-TD	18	450
ASG-WINGR-24/30-TD	24/30	600/750
ASG-WINGR-36/42-TD	36/42	900/1000
ASG-WINGR-48-TD	48	1200
ASG-WINGR-54-HD-TD	54	1370
ASG-WINGR-60-HD-TD	60	1500
ASG-WINGR-72-XHD-TD	72	1800
ASG-WINGR-84-EXHD-TD	84	2100

### Urethane Wing Rolls

Part Number	Belt Width	
	in	mm
ASG-WINGR-18-UE-TD	18	450
ASG-WINGR-24/30-UE-TD	24/30	600/750
ASG-WINGR-36/42-UE-TD	36/42	900/1000
ASG-WINGR-48-UE-TD	48	1200
ASG-WINGR-54-HD-UE-TD	54	1370
ASG-WINGR-60-HD-UE-TD	60	1500
ASG-WINGR-72-XHD-UE-TD	72	1800
ASG-WINGR-84-EXHD-UE-TD	84	2100

### Rubber Wing Rolls (Narrow Design)

Part Number	Belt Width	
	in	mm
ASG-WINGR-24-TD-1	24	600
ASG-WINGR-36-TD-1	36	900
ASG-WINGR-48-TD-1	48	1200
ASG-WINGR-60-HD-TD-1	60	1500

### Urethane Wing Rolls (Narrow Design)

Part Number	Belt Width	
	in	mm
ASG-WINGR-24-UE-TD-1	24	600
ASG-WINGR-36-UE-TD-1	36	900
ASG-WINGR-48-UE-TD-1	48	1200
ASG-WINGR-60-HD-UE-TD-1	60	1500

## Slide-ler™ / Slide-ler™ (One-Sided)

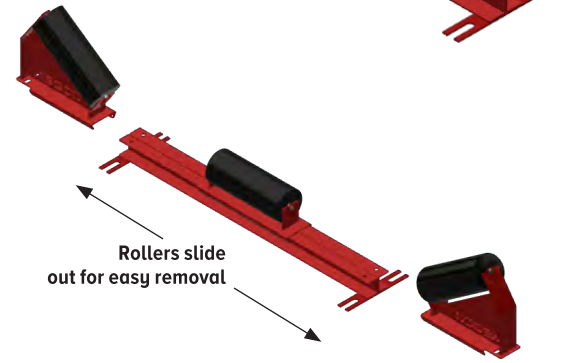
### Slide-ler™

This product provides the ability to change rolls under the conveyor loading skirt area without having to remove adjacent belt idlers. This allows the Slide-ler™ to fit into tight or confined spaces, ensuring proper belt rolling support and ease of change out.

- **Perfect for Confined Spaces** – due to the frames only take-up 8” (200mm) of width when using 6” (150mm) rollers.
- **Improves Safety** – and maintenance by allowing rollers to be easily removed without having to remove any of the belt idler frames.
- **Meets all CEMA Standards** – and available in any belt width, troughing angle or idler.
- **Idler Rolls** – we can provide CEMA C, D or E steel or impact rolls.

Slide-ler™		
Part Number	Belt Width	
	in	mm
M-ASG-SLIDELER-18-(XX)	18	450
M-ASG-SLIDELER-24-(XX)	24	600
M-ASG-SLIDELER-30-(XX)	30	750
M-ASG-SLIDELER-36-(XX)	36	900
M-ASG-SLIDELER-42-(XX)	42	1050
M-ASG-SLIDELER-48-(XX)	48	1200
M-ASG-SLIDELER-54-(XX)	54	1350
M-ASG-SLIDELER-60-(XX)	60	1500
M-ASG-SLIDELER-72-(XX)	72	1800
M-ASG-SLIDELER-84-(XX)	84	2100
M-ASG-SLIDELER-96-(XX)	96	2400

**Fits into confined spaces**  
Ensures proper belt rolling support and ease of change out



### Slide-ler™ (One Sided)

This patented product designed to be maintained from one side of the conveyor system. This is ideal for systems with access on one side only, where a conveyor is located against the wall or high in the air with a catwalk on one side. This allows you to replace rolls with minimal downtime and eliminate the need for man lifts or having to work in a confined space.



Slide-ler™ (One Sided)		
Part Number	Belt Width	
	in	mm
M-ASG-OS-SLIDELER-18-(XX)	18	450
M-ASG-OS-SLIDELER-24-(XX)	24	600
M-ASG-OS-SLIDELER-30-(XX)	30	750
M-ASG-OS-SLIDELER-36-(XX)	36	900
M-ASG-OS-SLIDELER-42-(XX)	42	1050
M-ASG-OS-SLIDELER-48-(XX)	48	1200
M-ASG-OS-SLIDELER-54-(XX)	54	1350
M-ASG-OS-SLIDELER-60-(XX)	60	1500
M-ASG-OS-SLIDELER-72-(XX)	72	1800
M-ASG-OS-SLIDELER-84-(XX)	84	2100
M-ASG-OS-SLIDELER-96-(XX)	96	2400



ALL 3 rolls slide in or out from one side of the conveyor.

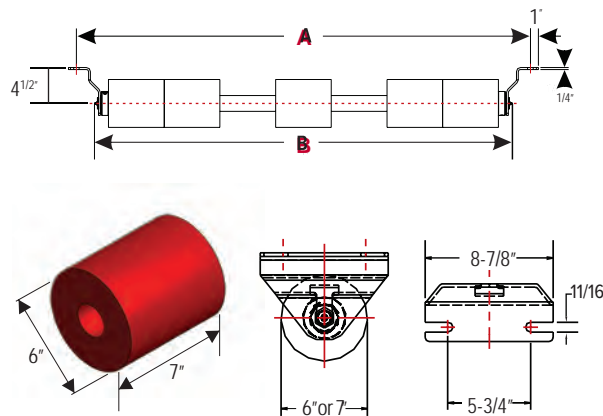
## Dura-Sleeve™ Idlers

These Urethane Return Disc Idlers are used in abrasive mining conditions such as iron ore, coke, copper/gold ores, underground coal mining, and other hard rock mining where traditional rubber discs and steel idlers don't last. These specially designed tapered roller bearings have long wear life as seen in high speed high tonnage applications.

- **Patented Design** – of our idler sleeve clamping system utilizes you to replace worn out rubber or other urethane disc return idlers.
- **Abrasion Resistant Urethane** – compounds provide wear ability that exceeds 5 times the wear life of standard rubber disc return idlers.
- **Meets all CEMA Standards** – and available in any belt width and inside and outside roller diameter.
- **CEMA D, E and F** – idlers are available for immediate shipment.
- **3 Year Guarantee** – ASGCO® offers the longest warranty on any Dura-Sleeve™ idler.



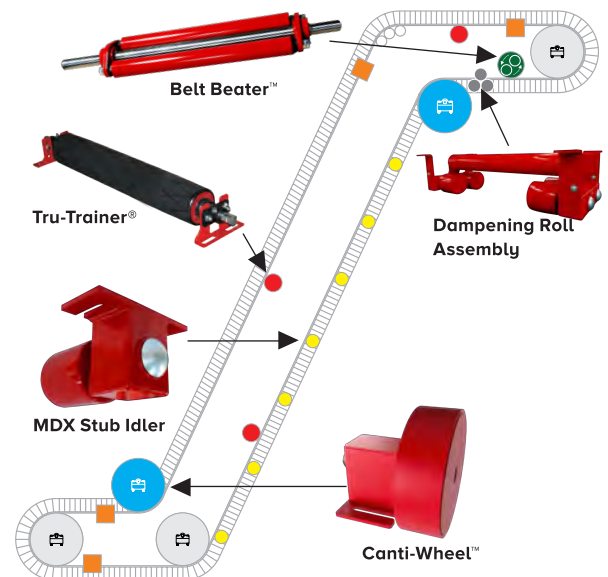
Dura-Sleeve™			
Belt Width	A	B	No. of Sleeves
24"	33"	28.63"	3
30"	39"	34.63"	3
36"	45"	40.63"	4
42"	51"	46.63"	4
48"	57"	52.63"	5
54"	63"	60.63"	5
60"	69"	64.63"	5
72"	81"	76.63"	6
84"	93"	88.63"	7
96"	105"	100.63"	8



Sleeves available in both 6" or 7" diameter.

## Steep Angle Accessories

- **MDX Stub Idler** – custom designed, provides increased sidewall conveyor belt life and is designed for heavy load support. Available in a "drop" or "rise" design to fit all conveyor frame/belt combinations.
- **Canti-Wheel** – combine the bearings, shafts and wheels in one assembly. This design to deflects the belt at the bend points and offers an OSHA friendly arrangement which eliminates the cross shaft, and is easier to guard.
- **Belt Beater** – work on the return or "clean" side of flexible sidewall or conventional troughed belts. It consists of a set of heavy wall rollers, rotating about a main shaft at approximately 600 RPM.
- **Dampening Roll Assembly** – reduces the pulsations in the belt, mounted just behind the belt beater that consists of 2 pairs of dual stub idlers that are matched to the belt recess, and a flat idler that "sandwich" the belt.
- **Tru-Trainer™** – designed for high speed, aggressive belts operates in all conditions, wet and dry.



## Industry Applications



Dura-Sleeve™ Idlers



Tru-Trainer® Dual Return Urethane Idler (Mine Duty)



Tru-Trainer® Flat Return Idler



Tru-Trainer® Tapered Troughing Idlers



Steep Angle Accessory - Stub Idlers



Tru-Trainer® Dual Return Idler