

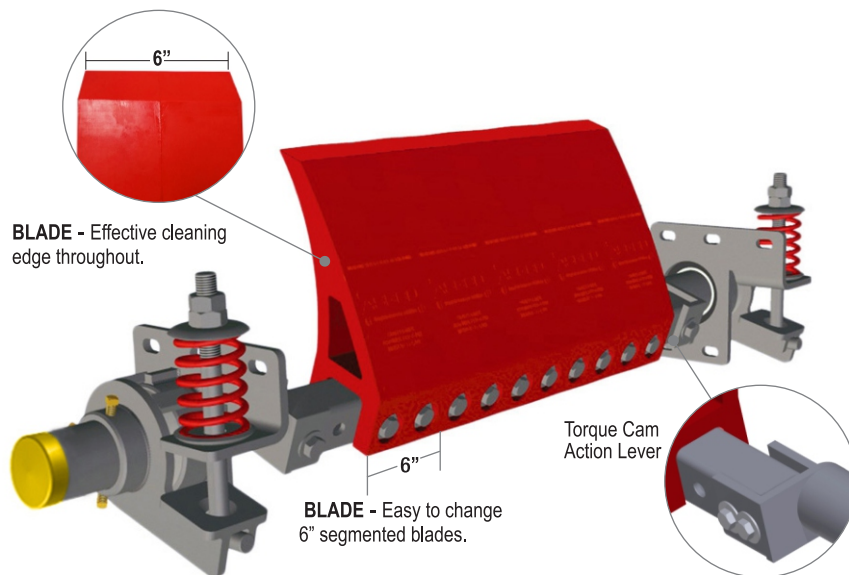
SKALPER MDX[®]

Primary Belt Cleaning System with Spring-Shoc[™] Tensioner



The **Skalper MDX[®]** pre-cleaner is designed for high speed and high tonnage conveyor systems in above and underground mining. The heavy-duty urethane blade mounts against the head pulley for efficient cleaning, and our unique torque cam action lever adjusts itself to remove high volumes of carry-back while minimizing blade wear and wear from mechanical fasteners.

Guaranteed mine tough!



- **Extremely Rugged** - Heavy-Duty structural steel, 3/8" x 3" diameter square mounting frame with a massive 14" abrasion resistant urethane blade segments individually adjust to the imperfections in the conveyor belt cover..
- **Impact Torque Cam Action** - offset mounting tube allows the blade to angle up and into the belt to remove carry-back and as mechanical splices come by the cleaner the offset cam allows the mounting tube and blades to move downward away from the belt, therefore improving the life of the cleaner blades and not damaging / bending the mounting tubes.
- **Spring-Shoc[™] or Air-Shoc[™]** - (both are Stainless Steel) dual-tensioning systems are available depending on your application to provide consistent self-adjusting pressure for optimal tension against the conveyor belt.
- **Optional** - Ceramic (XC) blade available for high speed, high tonnage conveyor systems.

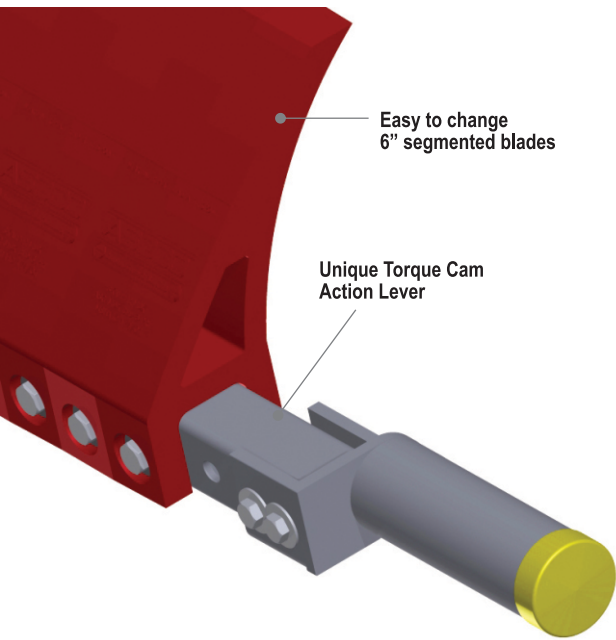


PRODUCT SPECIFICATIONS

Maximum Belt Speed - 1200 fpm (6.0 m/sec)

Pulley Diameter - 24" + (600mm+)

Application - Underground Mining, Hard Rock Mining, Oil Sands Mining, Metals (copper/gold) Mining, Steel Mills, Iron Ore, Bulk Shipping Terminals



Skalper MDX[®] Torque Cam Mechanism

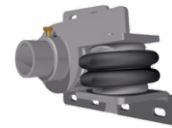
- Impact forces create a torque, rotating the blade away from the head pulley to prevent the mounting tube from bending.
- Torque cam action lever allows the blade to angle into the belt to get rid of carry-back and prevents damage from material impact or mechanical splices.
- Adjustable 6" blade segments provide coverage where it is needed most, on the belt's material path, minimizing blade wear.
- Blades are quickly replaced with new ones by removing just 2 bolts per blade segment.

Optional Tensioner Spring-Shoc™



- Heavy-Duty mechanical spring pressured tension automatically adjusts the cleaner blades into the belt, providing optimal tension for cleaning.
- Impact absorbing rubber and UHMW bushings used for the extreme conditions seen in mining environments

Optional Tensioner Air-Shoc™



- Heavy-Duty air pressured tension automatically adjusts the cleaner blades into the belt, providing optimal tension for cleaning.
- Impact absorbing rubber and UHMW bushings used for the extreme conditions seen in mining environments

Skalper MDX[®] with Spring-Shoc™ Tensioner

Part Number	Belt Width		Blade Width		Wt. Lbs.
	in	mm	in	mm	
M-SK4MDX-SYS-48-ST-42	48	1200	42	1050	0
M-SK4MDX-SYS-54-ST-48	54	1350	48	1200	0
M-SK4MDX-SYS-60-ST-54	60	1500	54	1350	0
M-SK4MDX-SYS-66-ST-60	66	1700	60	1500	0
M-SK4MDX-SYS-72-ST-60	72	1800	60	1500	0
M-SK4MDX-SYS-84-ST-72	84	2100	72	1800	0
M-SK4MDX-SYS-96-ST-84	96	2400	84	2100	0

Skalper MDX[®] Blade with Air-Shoc™ Tensioner

Part Number	Belt Width		Blade Width		Wt. Lbs.
	in	mm	in	mm	
M-SK4MDX-SYS-48-AS-42	48	1200	42	1050	0
M-SK4MDX-SYS-54-AS-48	54	1350	48	1200	0
M-SK4MDX-SYS-60-AS-54	60	1500	54	1350	0
M-SK4MDX-SYS-66-AS-60	66	1600	60	1500	0
M-SK4MDX-SYS-72-AS-60	72	1800	60	1500	0
M-SK4MDX-SYS-84-AS-72	84	2100	72	1800	0
M-SK4MDX-SYS-96-AS-84	96	2400	84	2100	0

BLADE ANGLE

A flat pulley surface side of the blade ensures a sharp point contact and material clearance.

- More Aggressive
- Self-Sharpening
- Less Abrasion Between Blade and Belt
- Less Chance of Blade Feathering



SDX Blades (Standard Duty)

Part Number	BW	Duro-meter	Wt. Lbs.
	inches		
ASG-SDX-BLD-6-PRI	6x10	85	4

MDX Blades (Mine Duty)			
Part Number	BW	Duro-meter	Wt. Lbs.
	inches		
ASG-MDX-BLD-6-PRI	6x14	85	4
ASG-MDXCER-BLD-6-PRI-B	6x14	NA	4

