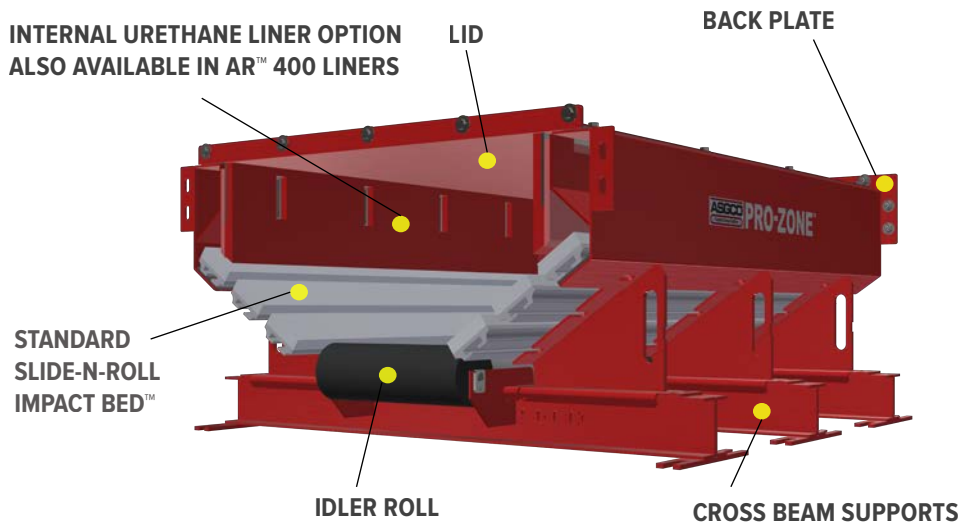


PRO-ZONE™

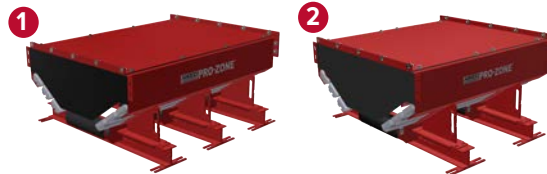
ENCLOSED LOAD ZONE CONVEYOR SYSTEMS



Pro-Zone™ is a patented modular conveyor belt load-zone system that optimizes the sealing for air/dust tightness of the receiving conveyor belt. This “skirt-less”, fully self-contained system is comprised of our Slide-N-Roll beds with our removable, “slide-out” steel side supports with UHMW bars and easily removable center rolls. Walls, internal sealing system, dust curtains, back plate and flat lids completely enclose the entire system.

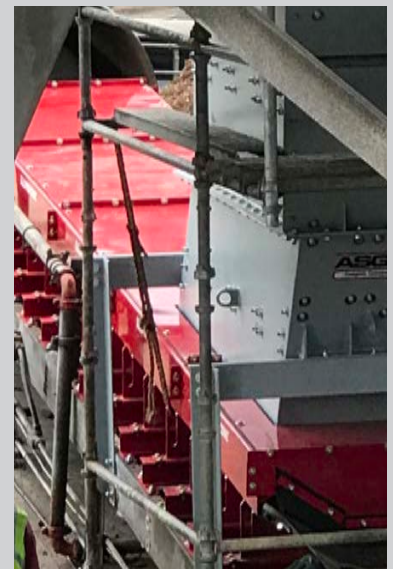


- 1 5' Pro-Zone™ with 3 supports**
Can be custom made to meet desire goal.
- 2 4' Pro-Zone™ with 2 supports**
Can be custom made to meet desire goal.



FEATURES & BENEFITS

- **Environmentally Friendly** – due to significant reduction of airborne and fugitive dust.
- **Increased Productivity** – and longer conveyor belt life because the completely sealed load zone helps eliminate material turbulence and conveyor belt cover abrasion.
- **Lower Maintenance Costs** – by having a “skirt-less”, fully contained system that needs no adjustments of metal skirtboards or rubber skirting.
- **Modular Design** - can be installed in any combination of 4' (1200mm) or 5' (1500mm) lengths to completely cover load zone area. Quickly removable lids, slide-out side sections and removable center rolls aid in the installation and maintenance of the system.
- **Made in the USA** - completely engineered, designed, fabricated and stock in the USA.



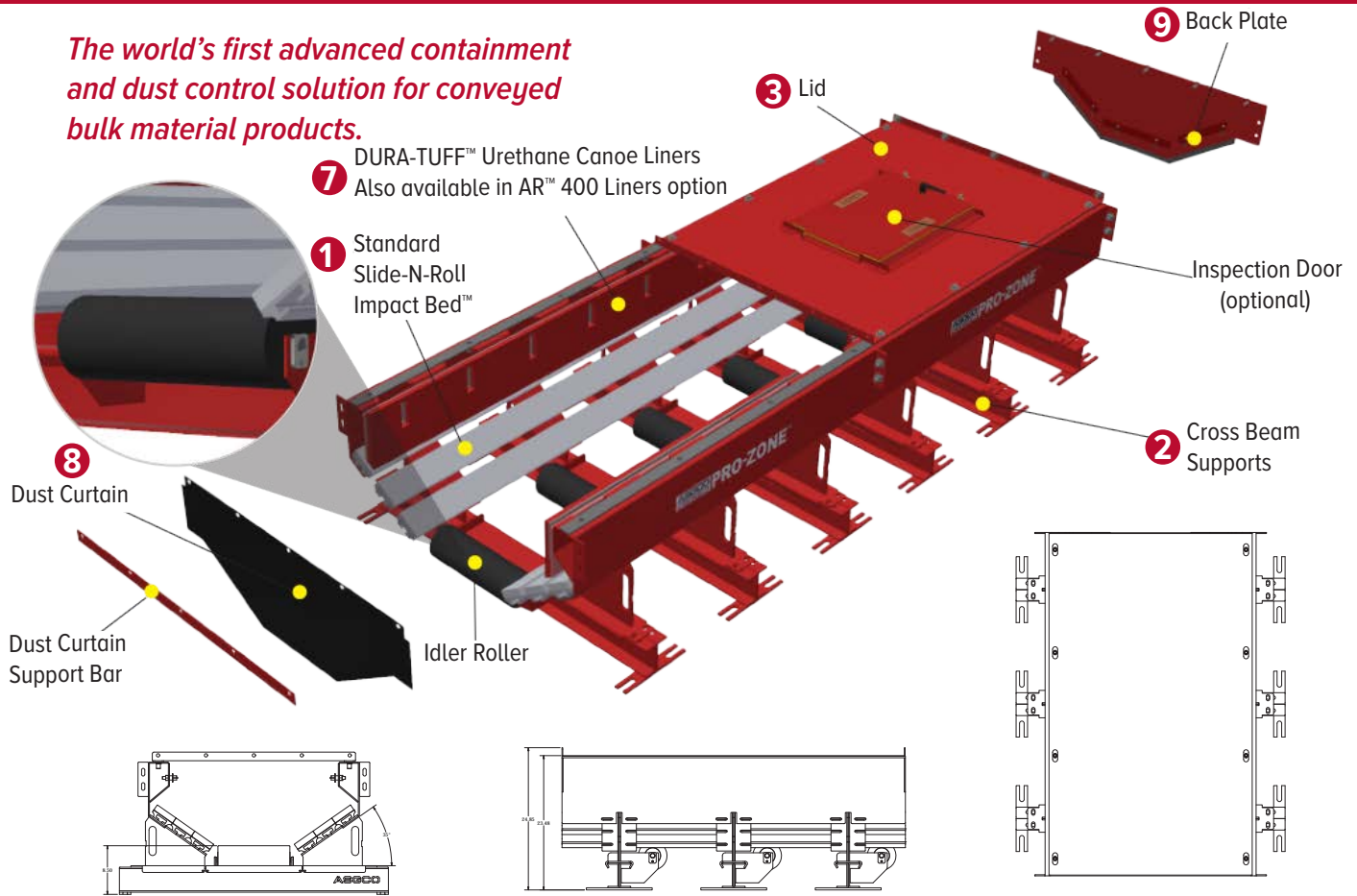
Need Solutions...to improve efficiency, safety and productivity? ask... ASGCO®

www.asgco.com | info@asgco.com | 800.344.400 | 610.821.0216



PRO-ZONE™ ENCLOSED LOAD ZONE CONVEYOR SYSTEMS

The world's first advanced containment and dust control solution for conveyed bulk material products.



Pro-Zone™ Replacement Parts		
Key	Description	Part Number
1	Frame Rail 3"x4", Impact	ASG-IBRAIL-RU-1-(X)
2	ASGCO® S&R Low Prof. Frame	M-S&RLD-FRAME-(X)-(XX)
3	ASGCO® Pro-Zone Cover	ASG-PZ-COVER-(X)-(XX)
4	ASGCO® Pro-Zone Wall	ASG-PZ-WALL-(X)
5	ASGCO® Pro-Zone Seal Plate	ASG-PZ-SEAL-PLATE-(X)
6	ASGCO® Pro-Zone Vibration Absorbing Knob	ASG-PZ-VAK
7	ASGCO® Dura-Seal-1,1/2x6,Bv,Ends	ADS-ORG-1276-B
8	ASGCO® Pro-Zone Dust Curtain	M-PZDC-(X)
9	ASGCO® Pro-Zone Back Plate	ASG-PZBP-(X)

Pro-Zone™ with 2 Supports			
Part Number	Belth Width		Weight Lbs.
	in	mm	
M-ASGPZ-18-2-48-2-(XX)	18	450	215
M-ASGPZ-24-4-48-2-(XX)	24	600	287
M-ASGPZ-30-4-48-2-(XX)	30	750	359
M-ASGPZ-36-6-48-2-(XX)	36	900	430
M-ASGPZ-42-6-48-2-(XX)	42	1050	502
M-ASGPZ-48-6-48-2-(XX)	48	1200	574
M-ASGPZ-54-8-48-2-(XX)	54	1350	646
M-ASGPZ-60-8-48-2-(XX)	60	1500	717

Pro-Zone™ Dual Curtain			
Part Number	Belth Width		Weight Lbs.
	in	mm	
M-PZDC-18	18	450	1
M-PZDC-24	24	600	1
M-PZDC-30	30	750	1
M-PZDC-36	36	900	1
M-PZDC-42	42	1050	1
M-PZDC-48	48	1200	1
M-PZDC-54	54	1350	1
M-PZDC-60	60	1500	1
M-PZDC-72	72	1800	1.5

Pro-Zone™ Back Plate				
Part Number	Belth Width		Weight Lbs.	
	in	mm		
ASG-PZBP-18	18	450	3	
ASG-PZBP-24	24	600	5	
ASG-PZBP-30	30	750	6	
ASG-PZBP-36	36	900	8	
ASG-PZBP-42	42	1050	10	
ASG-PZBP-48	48	1200	12	
ASG-PZBP-54	54	1350	17	
ASG-PZBP-60	60	1500	20	
ASG-PZBP-72	72	1800	23	

Pro-Zone™ with 3 Supports				
Part Number	Belth Width		Weight Lbs.	
	in	mm		
M-ASGPZ-18-2-60-3-(XX)	18	600	262	
M-ASGPZ-24-4-60-3-(XX)	24	600	350	
M-ASGPZ-30-4-60-3-(XX)	30	750	437	
M-ASGPZ-36-6-60-3-(XX)	36	900	525	
M-ASGPZ-42-6-60-3-(XX)	42	1050	612	
M-ASGPZ-48-6-60-3-(XX)	48	1200	699	
M-ASGPZ-54-8-60-3-(XX)	54	1350	717	
M-ASGPZ-60-8-60-3-(XX)	60	1500	874	
M-ASGPZ-72-10-60-3-(XX)	72	1800	1049	

Need Solutions...to improve efficiency, safety and productivity? ask... ASGCO®

www.asgco.com | info@asgco.com | 800.344.400 | 610.821.0216

© 2024 ASGCO "Complete Conveyor Solutions"

