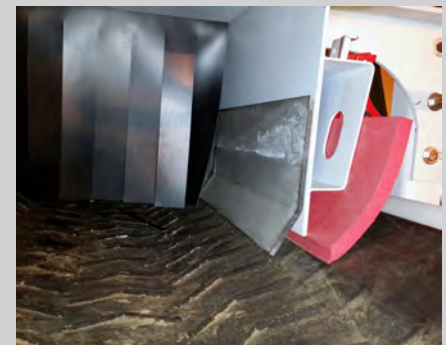


AR™ 400 STEEL WEAR LINERS

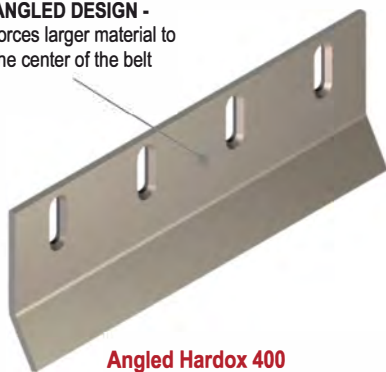
Angled & Straight Hardox 400 Steel Internal Skirtboard Liners



AR 400™ Steel Wear Liners protect your skirtboard and extend the life and effectiveness of your sealing compound. Use the straight design where belts are fully loaded and full chute width needs to be maintained. The angled deflector plate wear liner will force larger material to the center of the belt. It can be used for all conveyors and transfers where the eradication of spillage or centralization of load is required.

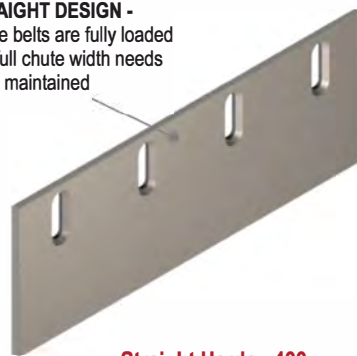


ANGLED DESIGN - forces larger material to the center of the belt



Angled Hardox 400

STRAIGHT DESIGN - where belts are fully loaded and full chute width needs to be maintained



Straight Hardox 400

- **Lowest Cost Per Ton** - AR 400™ will substantially reduce your operating costs when compared to any other lining material. Use the formula above to compare X-WEAR™ to your current system. If you are truly interested in lower operating costs, install X-WEAR™ today!
- **Material Flow** - The smooth laminar surface of AR 400™ provides the optimum sliding surface for material handling. Forget UHMW and other plastics that distort, buckle and wear out. The low coefficient of friction and dimensionally stable surface of AR 400™ will provide years of maintenance-free service.
- **Reduces Downtime** - Outlasts all other wear resistant materials.
- **Corrosion Resistant** - AR 400™ is resistant to the corrosive chemicals inherent in most material handling and processing operations.
- **Retrofit** - The remarkable structural integrity of AR 400™ makes it ideal for direct retrofitting of worn out chutes and hoppers without expensive repairs.
- **Noise Reduction** - AR 400™'s energy absorbing design dramatically reduces noise.

Need Solutions... to improve efficiency, safety and productivity? **ask... ASGCO®**

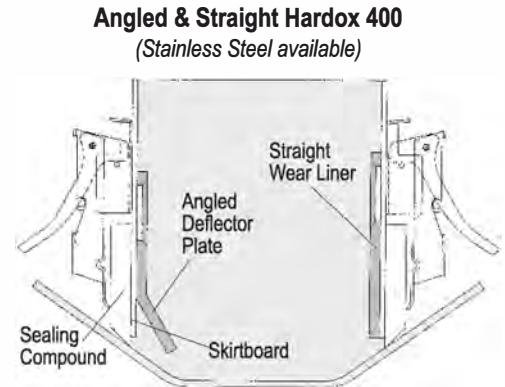
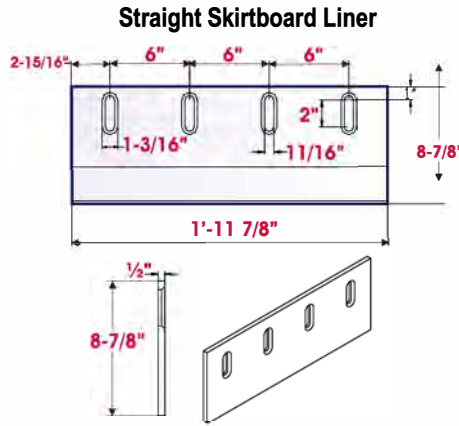
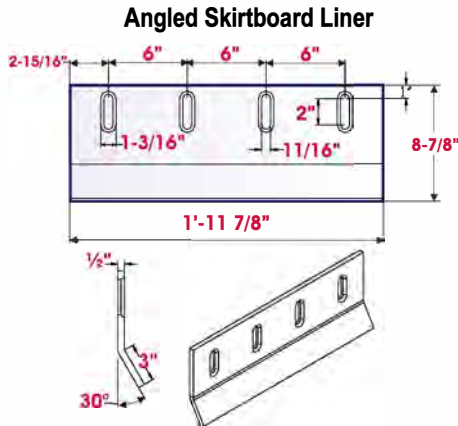
www.asgco.com | 800.344.4000

© 2024 ASGCO® "Complete Conveyor Solutions"



AR™ 400 STEEL WEAR PLATE

The Wear and Impact Resistant Alternative that Makes Steel and Chromium Carbide Wearplate Obsolete!



ASGCO® Armorite® AR Wear Liners protect your skirtboard and extend the life and effectiveness of your sealing compound. Use the straight design where belts are fully loaded and full chute width needs to be maintained. The angled deflector plate wear liner will force larger material to the center of the belt. Any small fines that work their way under the deflector have a path to exit the skirting area without being forced against the sealing compound.

Part Number	Description	Wt.Lbs.
M-SKRT-LIN-HAR-24-1/2-A	Deflector Wearplate, Hardox 400, Angled	30
M-SKRT-LIN-HAR-24-1/2-S	Deflector Wearplate, Hardox 400, Straight	30

Custom and other sizes available

Need Solutions...to improve efficiency, safety and productivity? ask... ASGCO®

www.asgco.com | 800.344.4000

© 2024 ASGCO® "Complete Conveyor Solutions"

