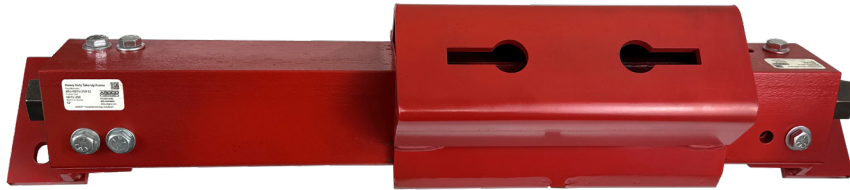


HEAVY DUTY TAKE-UP FRAME (HDTU)

TECHNICAL INFORMATION



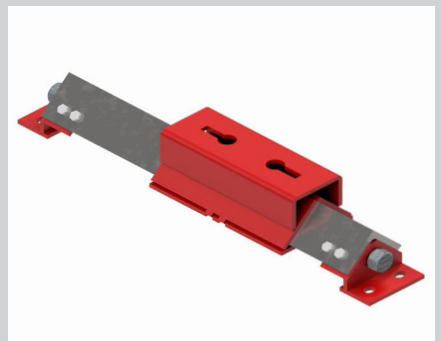
Maintaining proper tension on the belt is crucial to prevent inefficiencies caused by belt slippage at the drive pulley and reduce belt sag, which can affect the product life of the belt and components. **ASGCO®'s Heavy Duty Take-Up Frame (HDTU)** can provide tension to the belt throughout the conveyor system, extending the life of the belt, reducing maintenance costs, and increasing yield.



Available with **Dodge®** and/or **Timken®** bearings upon request.

FEATURES AND BENEFITS

- Versatile for use in heavy applications
- Bearing mount custom-drilled to fit any brand and series of pillow block bearings
- Pillow block bearings can be supplied with the frame upon request.
- Top-mounted configuration



TAKE-UP STYLE

	Bearing Style			Mounting Position	
	Pillow Block	Wide Slot	Top Angle	Top	Side
HDTU (Heavy Duty)	X			X	

BEARING BORE BASED ON PULLEY SHAFT SIZE

	1"	2"	3"	4"	5"	6"	7"	8"	9"
HDTU (Heavy Duty)	1-7/16" - 9"								

TRAVEL LENGTH BASED ON CONVEYOR LENGTH

Length of Conveyor	10'	20'	25'	50'	75'	100'	125'	150'	175'	200'	225'
Take-Up Travel Length (- 3% Stretch)	4"	7"	9"	18"	27"	36"	45"	54"	63"	72"	81"

COMMON COMPATIBLE HDTU BEARINGS*

ASGCO Part Number	Type E	SAF
HDTU-200	1 15/16 - 2 7/16	1 15/16 - 2 3/16
HDTU-250	2 15/16	2 7/16 - 2 15/16
HDTU-300	-	3 3/16
HDTU-350	2 15/16	3 7/16
HDTU-400	3 15/16 - 4 15/16	3 15/16 - 4 7/16
HDTU-500	5 7/16 - 5 15/16	4 15/16 - 5 7/16

EQUIVALENT OEM PART NUMBERS

Martin	Dodge	Precision	Superior
MHD200	HD-200	PHD200	TUHD-200
MHD250	HD-250	PHD208	TUHD-250
MHD300	HD-300	PHD300	TUHD-300
MHD350	HD-350	PHD308	TUHD-350
MHD400	HD-400	PHD400	TUHD-400
MHD500	HD-500	PHD500	TUHD-500

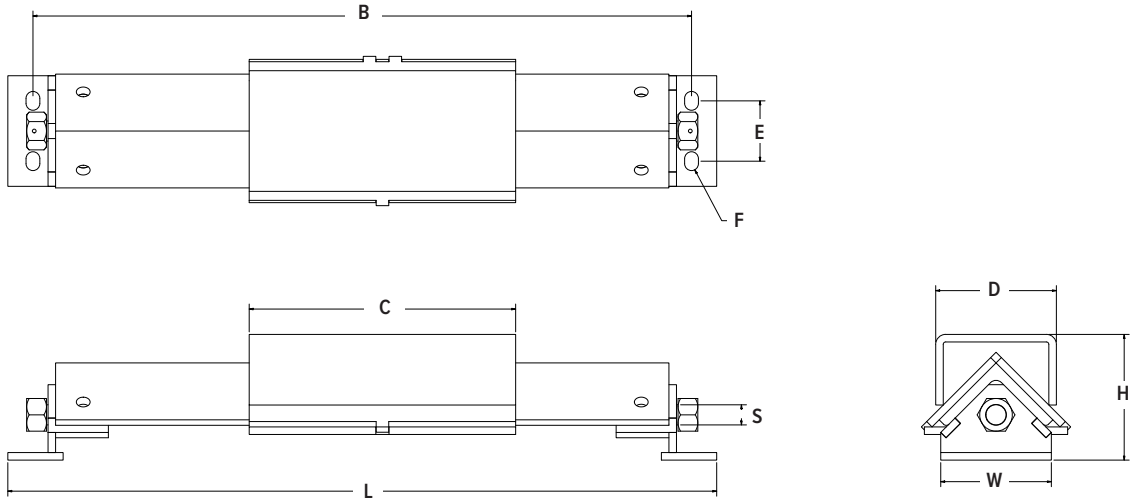
Need Solutions... to improve efficiency, safety and productivity? **ask... ASGCO®**

www.asgco.com | 800.344.4000

@2024 ASGCO® "Complete Conveyor Solutions"



HEAVY DUTY TAKE-UP FRAME (HDTU)



HEAVY DUTY TAKE-UP FRAME (HDTU)

Part Number	Nominal Travel	B	C	D	E	F BOLT DIA.	H	L	S SCREW DIA.	W
ASG-HDTU-200-12	12	29.00	11.00	5.5	2.5	0.625	5.25	31.00	1.000	5.00
ASG-HDTU-200-18	18	35.00						37.00		
ASG-HDTU-200-24	24	41.00						43.00		
ASG-HDTU-200-30	30	47.00						49.00		
ASG-HDTU-200-36	36	53.00						55.00		
ASG-HDTU-250-12	12	32.75	13.25	6.0	3.0	0.625	6.25	35.25	1.000	5.50
ASG-HDTU-250-18	18	38.75						41.25		
ASG-HDTU-250-24	24	44.75						47.25		
ASG-HDTU-250-30	30	50.75						53.25		
ASG-HDTU-250-36	36	56.75						59.25		
ASG-HDTU-300-12	12	35.50	14.25	6.0	3.0	0.750	7.00	37.25	1.250	6.50
ASG-HDTU-300-18	18	41.50						44.25		
ASG-HDTU-300-24	24	47.50						50.25		
ASG-HDTU-300-30	30	53.50						56.25		
ASG-HDTU-300-36	36	59.50						62.25		
ASG-HDTU-300-42	42	65.50						68.25		
ASG-HDTU-300-48	48	71.50						74.25		
ASG-HDTU-350-12	12	37.25	16.00	6.0	3.0	0.750	7.00	40.00	1.250	6.50
ASG-HDTU-350-18	18	43.25						46.00		
ASG-HDTU-350-24	24	49.25						52.00		
ASG-HDTU-350-30	30	55.25						58.00		
ASG-HDTU-350-36	36	61.25						64.00		
ASG-HDTU-350-42	42	67.25						70.00		
ASG-HDTU-350-48	48	73.25						76.00		
ASG-HDTU-400-12	12	41.25	20.00	7.0	3.0	0.750	7.00	44.00	1.250	6.50
ASG-HDTU-400-18	18	47.25						50.00		
ASG-HDTU-400-24	24	53.25						56.00		
ASG-HDTU-400-30	30	59.25						62.00		
ASG-HDTU-400-36	36	65.25						68.00		
ASG-HDTU-400-42	42	71.25						74.00		
ASG-HDTU-400-48	48	77.25						80.00		
ASG-HDTU-500-12	12	47.00	23.50	8.5	4.0	0.875	7.75	49.50	1.500	7.00
ASG-HDTU-500-18	18	53.00						55.50		
ASG-HDTU-500-24	24	59.00						61.50		
ASG-HDTU-500-30	30	65.00						67.50		
ASG-HDTU-500-36	36	71.00						73.50		
ASG-HDTU-500-42	42	77.00						79.50		
ASG-HDTU-500-48	48	83.00						85.50		

*** All dimensions are in inches.

Need Solutions... to improve efficiency, safety and productivity? ask... ASGCO®

www.asgco.com | 800.344.4000

@2024 ASGCO® "Complete Conveyor Solutions"

