



TOOLS & ACCESSORIES



Grizzly™ Hinged Screw-Splice

Designed for tough material-handling applications, the **ASGCO Grizzly™ Hinged Screw-Splice** system offers durability, quick installation, and lasting performance where small-diameter pulleys are utilized. It's simple to remove hinge pin, allows for simple and easy installation.

The innovative screw fastening design allows for a tight, vibration-resistant hold, making it ideal for heavy-duty industries where efficiency and strength matter most — commonly used in aggregate, coal, recycling, and biomass industries.

- **Designed for Smaller Pulleys** – Ensures smooth belt operation without compromising durability.
- **Easy Installation** – Can be installed quickly using basic hand or power tools, eliminating the need for specialized equipment.
- **Enhanced Strength & Pull-Out Resistance** – Unique screw design penetrates deep into the belt carcass for superior grip without damaging belt fibers, preserving belt integrity, and extending service life.
- **Minimized Downtime & Increased Efficiency** – Quick adjustments and simple installation reduce maintenance time, keeping operations running smoothly.
- **Available in multiple strengths and belt widths to fit specific applications.**



GRIZZLY™
 ® S C R E W - S P L I C E ®



Grizzly™ Hinged Screw-Splice Specifications			
GHS35		GHS45	
Heavy Duty			
Final Belt Thickness			Screws
mm	in		
4 - 5	0.16 - 0.2		M5 x 8
5 - 6.9	0.2 - 0.27		M5 x 10
7 - 8.9	0.28 - 0.35		M5 x 12
9 - 10.9	0.35 - 0.43		M5 x 14
11 - 12.9	0.43 - 0.51		M5 x 16
13 - 14.9	0.51 - 0.59		M5 x 18
> 14.9	> 0.59		Up to M5 x 24
Final Belt Thickness			
mm	in	mm	in
4.5 - 10	.18 - .39	6 - 11	.24 - .43
Min. Pulley Diameter			
mm	in	mm	in
90	3.5	125	4.9
Min. Runing Tension			
mm	in	mm	in
63	2.5	65	2.6
Pin Diameter			
mm	in	mm	in
5	.20	6.5	.26
Fastener Materials			
Galvanized Carbon Steel or Stainless Steel			
Screw Materials			
Galvanized Carbon Steel or Stainless Steel			
Pin Materials			
Stainless Steel With Position Limit Rings			

Grizzly™ Hinged Screw-Splice (GHS35) 360 PIW			
PART NUMBER	DESCRIPTION	BELT WIDTH	
		in	mm
ASG-GHS35-18	Grizzly™ Hinged Screw-Splice (GHS35) 360 PIW	18	457
ASG-GHS35-24	Grizzly™ Hinged Screw-Splice (GHS35) 360 PIW	24	610
ASG-GHS35-30	Grizzly™ Hinged Screw-Splice (GHS35) 360 PIW	30	762
ASG-GHS35-36	Grizzly™ Hinged Screw-Splice (GHS35) 360 PIW	36	914
ASG-GHS35-42	Grizzly™ Hinged Screw-Splice (GHS35) 360 PIW	42	1067



GHS35 375 PIW



GHS45 440 PIW

STRENGTH, SPEED, AND RELIABILITY IN EVERY CONNECTION

Grizzly™ Hinged Screw-Splice (GHS45) 400 PIW			
PART NUMBER	DESCRIPTION	BELT WIDTH	
		in	mm
ASG-GHS45-18	Grizzly™ Hinged Screw-Splice (GHS45) 400 PIW	18	457
ASG-GHS45-24	Grizzly™ Hinged Screw-Splice (GHS45) 400 PIW	24	610
ASG-GHS45-30	Grizzly™ Hinged Screw-Splice (GHS45) 400 PIW	30	762
ASG-GHS45-36	Grizzly™ Hinged Screw-Splice (GHS45) 400 PIW	36	914
ASG-GHS45-42	Grizzly™ Hinged Screw-Splice (GHS45) 400 PIW	42	1067
ASG-GHS45-48	Grizzly™ Hinged Screw-Splice (GHS45) 400 PIW	48	1219

ASGCO® Conveyor Belt Skiver

Engineered for Conveyor Belt Skiving Accuracy

The battery operated **ASGCO® Conveyor Belt Skiver** is specially designed to help ensure quick, safe and accurate top cover removal at various depths for installation of recessed splices. Properly skive your conveyor belt for better mechanical fastener holding.

The **ASGCO® Conveyor Belt Skiver** is battery-operated (18-Volt) with dual-acting tungsten carbide blades that accurately skives the rubber off the surface of the conveyor belt. A skived conveyor belt provides for a stronger and longer conveyor belt splice life and the lower profile helps with belt cleaner performance. The **ASGCO® Conveyor Belt Skiver** comes as a kit, complete with a battery charger, 2 batteries, and a set of tungsten carbide replacement blades all in a sturdy zippered canvas

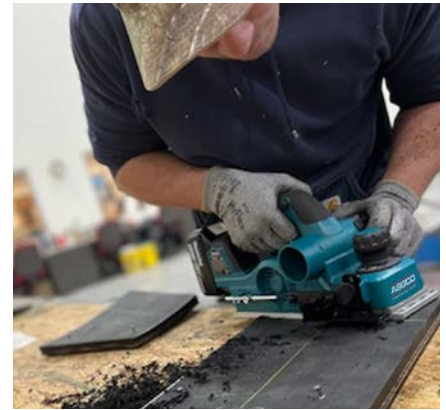


Features & Benefits

- Portable and lightweight – complete kit in a sturdy zippered canvas bag
- Battery Operated 18 volts – designed for a lifelong battery operation
- Accurate – top cover removal/recessing for mechanical fastener installation
- 2-blade cutter head – dual edge tungsten carbide blades for added performance and smooth finish

Recommendation

We recommend to set the depth of the ASGCO® Conveyor Belt Skiver to 1/16” and use multiple passes to achieve desire depth.



ASGCO® CONVEYOR BELT SKIVER		
PART NUMBER	DESCRIPTION	WEIGHT (LBS)
-ASG-VC-MK10-BS-KT	ASGCO Belt Skiver Kit, cordless 18V skiver, carrying bag, 2 batteries and 110V charger, replacement blade set	--
ASG-VC-MK10-BS	ASGCO Belt Skiver Cordless 18V	--
ASG-VC-MK10-BS-RB	ASGCO Belt Skiver Replacement Blade Set - 2pk	--
ASG-VC-MK10-BC	ASGCO Belt Skiver Battery Charger	--
ASG-VC-MK10-18V/5.0	ASGCO Belt Skiver Battery 18v/5.0AH	--
ASG-UC-MCUB	Duffel Bag	--
ASG-VC-BENCH-BRUSH	Bench Brush	--
ASG-VC-CL	Chalk Line	--
ASG-VC-TEE-SQUARE	Metal Square	--

ASGCO® Magnum® Rubber Cutter

Cordless Precision Rubber Cutter

The ASGCO® Magnum® Rubber Cutter offers precision cutting for finger splices as well as the heavy-duty torque required to cut through multiply belts up to 2” (51 mm) thick. Excellent for slitting and finger cutting, this tool is capable of cutting all fabric plied rubber belting and sheeting.

- Guard may be positioned by the operator’s thumb during operation, and returns to closed position upon release
- Lightweight aircraft grade aluminum construction with machined parts
- Bearing wheels and ribbing on the frame for ease of glide
- Sharpen-able, replaceable, hardened 9” (229mm) D2 material blade
- Unit can be reversed in a binding situation
- Carrying case will fit the Magnum Rubber Cutter, spare blade, spare battery and charger
- Replacement blades are available



ASGCO® CONVEYOR BELT SKIVER	
PART NUMBER	DESCRIPTION
M-ASG-VC-MK10-RC-KT	Kit: Belt Cutter with Cordless 110v, Driver, Travel Case, 2 Batteries and 110v battery charger
ASG-VC-MK10-BC	Spare: Battery Charger
ASG-VC-MK10-18V/5.0	Spare: Battery
ASG-VC-MK10-RB	Spare: Saw Blade
ASG-VC-MK10-HC	Rubber Cutter Hard Case
M-ASG-VC-MK10-BS-KT	Kit: Belt Skiver Cordless 18v, Case, 2 Batteries and 110 v Battery Charger

SPLICING TOOLS & ACCESSORIES

VUL-CON® EDGE IRONS

Precision Edge Ironing, All in One Compact Set

The **VUL-CON® EDGE IRONS** offers a convenient, color-coded collection designed to meet a variety of edge ironing requirements in one compact package.

- Set includes 5 pairs of bars (10 bars total), each measuring (3") 76 mm in width and (48") 1220 mm in length.
- Color-coded for easy identification of size
- Made from aluminum or steel



All in One Compact Set!

This comprehensive bar set covers gauge sizes in 1.6 mm (1/16") increments up to 25.4 mm (1") in total, providing versatility for a wide range of splicing applications.

COLOR-CODED BAR SIZE GUIDE		
3/8"		
1/4"		
3/16"		
1/8"		
1/16"		



VUL-CON® EDGE IRONS – MULTI-USE OPTIONS

BELT THICKNESS		EDGE IRON THICKNESS		COMBINATION OF IRONS USED														
in	mm	in	mm	in	mm		in	mm		in	mm		in	mm		in	mm	
1/8	3.175	1/16	1.587	1/16	1.587													
3/16	4.762	1/8	3.175	1/8	3.175													
1/4	6.350	3/16	4.762	3/16	4.762													
5/16	7.937	1/4	6.350	1/4	6.350													
3/8	9.525	5/16	7.937	1/4	6.350	&	1/16	1.587										
7/16	11.112	3/8	9.525	3/8	9.525													
1/2	12.7	7/16	11.112	3/8	9.525	&	1/16	1.587										
9/16	14.288	1/2	12.7	3/8	9.525	&	1/8	3.175										
5/8	15.875	9/16	14.288	3/8	9.525	&	3/16	4.762										
11/16	17.462	5/8	15.875	3/8	9.525	&	1/4	6.350										
3/4	19.05	11/16	17.462	3/8	9.525	&	1/4	6.350	&	1/16	1.587							
13/16	20.637	3/4	19.05	3/8	9.525	&	1/4	6.350	&	1/8	3.175							
7/8	22.225	13/16	20.637	3/8	9.525	&	1/4	6.350	&	3/16	4.762							
15/16	23.812	7/8	22.225	3/8	9.525	&	1/4	6.350	&	3/16	4.762	&	1/16	1.587				
1	25.4	15/16	23.812	3/8	9.525	&	1/4	6.350	&	3/16	4.762	&	1/8	3.175				
1-1/16	26.987	1	25.4	3/8	9.525	&	1/4	6.350	&	3/16	4.762	&	1/8	3.175	&	1/16	1.587	

VUL-CON® EDGE IRONS – STEEL

PART NUMBER	DESCRIPTION	THICKNESS	WEIGHT (LBS)	COLOR CODE
ASG-VC-EIS-348-063	VUL-CON® EDGE IRON - Steel, 3" x 48" x 0.063" (2 Bars Set)	0.063"-1/16-1.587mm	5.2	RED
ASG-VC-EIS-348-125	VUL-CON® EDGE IRON - Steel, 3" x 48" x 0.125" (2 Bars Set)	0.125"-1/8-3.175mm	10.2	ORANGE
ASG-VC-EIS-348-188	VUL-CON® EDGE IRON - Steel, 3" x 48" x 0.188" (2 Bars Set)	0.188"-3/16-4.762mm	15.4	YELLOW
ASG-VC-EIS-348-250	VUL-CON® EDGE IRON - Steel, 3" x 48" x 0.250" (2 Bars Set)	0.250"-1/4-6.350mm	20.4	GREEN
ASG-VC-EIS-348-375	VUL-CON® EDGE IRON - Steel, 3" x 48" x 0.375" (2 Bars Set)	0.375"-3/8-9.525mm	30.7	BLUE
M-ASG-VC-EIS-348-SET	VUL-CON® EDGE IRON - Steel, 3" x 48" Complete Set (2 Bars Set of Each)		82.0	

VUL-CON® EDGE IRONS – ALUMINUM

PART NUMBER	DESCRIPTION	THICKNESS	WEIGHT (LBS)	COLOR CODE
ASG-VC-EIA-348-063	VUL-CON® EDGE IRON - Aluminum, 3" x 48" x 0.063" (2 Bars Set)	0.063"-1/16-1.587mm	1.8	RED
ASG-VC-EIA-348-125	VUL-CON® EDGE IRON - Aluminum, 3" x 48" x 0.125" (2 Bars Set)	0.125"-1/8-3.175mm	3.5	ORANGE
ASG-VC-EIA-348-188	VUL-CON® EDGE IRON - Aluminum, 3" x 48" x 0.188" (2 Bars Set)	0.188"-3/16-4.762mm	5.3	YELLOW
ASG-VC-EIA-348-250	VUL-CON® EDGE IRON - Aluminum, 3" x 48" x 0.250" (2 Bars Set)	0.250"-1/4-6.350mm	7.0	GREEN
ASG-VC-EIA-348-375	VUL-CON® EDGE IRON - Aluminum, 3" x 48" x 0.375" (2 Bars Set)	0.375"-3/8-9.525mm	10.5	BLUE
M-ASG-VC-EIA-348-SET	VUL-CON® EDGE IRON - Aluminum, 3" x 48" Complete Set (2 Bars Set of Each)		26.0	

SPLICING QUICKER AND MORE EFFICIENT

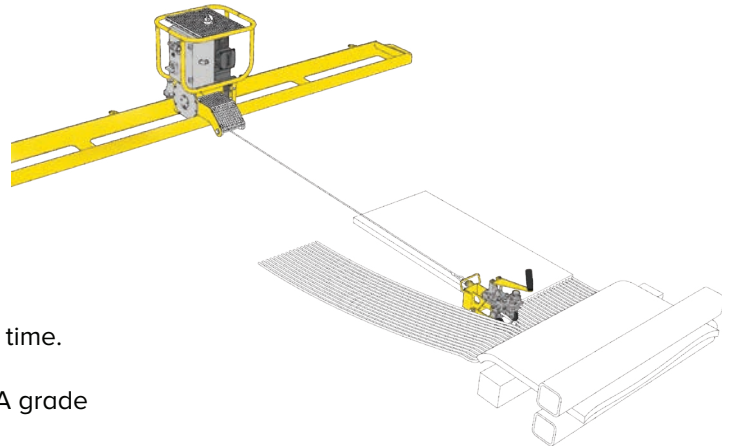
Steel Cord Conveyor Belt Stripper System

Belt splicing and repairing steel cord conveyor belts quicker and more efficiently.

The Steel Cord Stripper is an indispensable accessory to strip and separate the steel cables of conveyor belts.

Features & Benefits

- Reduced time for steel cord belt stripping
- Simple to operate and easy to transport and store
- Easy replacement of blades
- Strips large area decreases labor intensity and reduces the time.
- Lightweight and easy to carry.
- Available – in 5/8” and 1” thicknesses in both SBR and MSHA grade rubber compounds.



Steel Cord Stripper



Blade for Cord Stripper



Power Winch CS

Steel Cord Stripper

STEEL CORD STRIPPER		
PART NUMBER	BELT THICKNESS	WEIGHT (LBS)
ASG-VC-SCS	Up to 1.7"	26.5



Blades for Cord Stripper

The minimum order quantity of each blade is 50 pieces. Blades are not part of the delivery of the cord stripper and must be ordered separately.

O = Top and **U** = Bottom

Blade Holder A = XX 4.5, 5, 5.5, 6, 6.5, 7, 7.5, 8, 8.5, 9 **Blade Holder B** = YY 10, 10.5, 11, 11.5, 12, 12.5, 13

BLADES FOR CORD STRIPPER		
PART NUMBER	CABLE THICKNESS	WEIGHT (LBS)
ASG-K 10XX-O/U	.15-.36	-
ASG-K 11YY-O/U	.36-.50	-

Power Winch CS

The capacity winch CS is an indispensable part of the cord stripper system. It is specially designed for continuous use and is especially characterized by high tensile speed, the torque and the near ground cable conduit. In addition, the signal color contributes to workplace safety. The safe operation of the supply and return takes place via the control panel (13ft long) with an emergency stop switch.

POWER WINCH CS		
PART NUMBER	LENGTH	WEIGHT (LBS)
ASG-VC-CS-PW	Steel Rope 20 ft	154

Slide Rail for Power Winch CS

The slide rail is fixed transversely to the conveyor belt and is used to safely accommodate the Power Winch CS. By gently moving the Power Winch within the guide rail, the optimum position for the pulling direction is assured.

SLIDE RAIL FOR POWER WINCH CS		
PART NUMBER	LENGTH	WEIGHT (LBS)
ASG-VC-CSPW-SR	11.5 ft	132



VUL-CON® TOOLS & ACCESSORIES

ASGCO® offers an extensive range of top-quality **VUL-CON® tools and accessories** designed to streamline the splicing process. These products are engineered to enhance operational efficiency, ensuring that maintenance tasks are performed with precision and speed. This helps to minimize downtime and keep your systems running smoothly.

- 1



Splicing Toolbox (Empty)
- 2



Utility Knife
- 3



Spare Blades (5pk)
- 4



Safety Glasses
- 5



Cut Resistant Gloves
- 6



Nitrile Gloves (5pk)
- 7



Bench Brush
- 8



Chalk Line
- 9



Metal Square
- 10



Chip Brushes (3pk)
- 11



Tape Measure
- 12



Claw Hammer
- 13



Hook Ply Knife .060
- 14



Hook Ply Knife .080
- 15



1" Fillet Knife

VUL-CON® Tools & Accessories			
GUIDE NUMBER	PART NUMBER	DESCRIPTION	WEIGHT (LBS)
1	ASG-VC-SPL-TB	Splicing Toolbox (Empty)	--
2	ASG-VC-SAFETY-KNIFE	Utility Knife	--
3	ASG-VC-SPAREBLADES-PK	Spare Blades (5pk)	--
4	ASG-VC-SAFETY-GLASSES	Safety Glasses	--
5	ASG-VC-SAFETY-GLOVES	Cut Resistant Gloves	--
6	ASG-VC-NITRAGLOVES	Nitrite Gloves (5pk)	--
7	ASG-VC-BENCH-BRUSH	Bench Brush	--
8	ASG-VC-CL	Chalk Line	--
9	ASG-VC-TEE-SQUARE	Metal Square	--
10	ASG-VC-CHIP-BR	Chip Brushes (3pk)	--
11	ASG-VC-TAPE-MEASURE	Tape Measure	--
12	ASG-VC-HAMMER	Claw Hammer	--
13	ASG-VC-PLY-060	Hook Ply Knife .060	--
14	ASG-VC-PLY-080	Hook Ply Knife .080	--
15	ASG-VC-FILLET-KNIFE	1" Fillet Knife	--
16	ASG-VC-OT	Oscillating Tool	--
17	ASG-VC-P-STITCHER	Pricker Stitcher	--
18	ASG-VC-SAFETY-PINCHER	Pincher	--
19	ASG-VC-STRIPPER-CLAMP	Stripper Clamp	--
20	ASG-VC-HBK	Hawk Bill Ply Knife	--
21	ASG-VC-SR-2X2	2" x 2" Smooth Roller	--
22	ASG-VC-CR-2X.063	2" x 1/16" Corrugated Stitcher	--
23	ASG-VC-CR-2X.250	2" x 1/4" Corrugated Stitcher	--
24	ASG-VC-SRP-STITCHER	Single Row Stitcher	--
25	ASG-VC-OCILL-BLADE	Oscillating Blade	--
26	ASG-VC-RUBBER-MARKER	Silver Space Pen	--
27	M-ASG-VC-STK	Belt Splicing Complete Toolkit	--



16

Oscillating Tool



17

Pricker Stitcher



18

Pincher



19

Stripper Clamp



20

Hawk Bill Ply Knife



21

2" x 2" Smooth Roller



22

2" x 1/16" Corrugated Stitcher



23

2" x 1/4" Corrugated Stitcher



24

Single Row Stitcher



25

Oscillating Blade



26

Silver Space Pen



27

Belt Splicing Complete Toolkit

INNOVATIVE SOLUTIONS FOR HIGH QUALITY CONVEYOR BELT SPLICING.



